

**2023**

# FİYAT LİSTESİ

**SİPARİŞ İÇİN; 0216 540 54 34**  
info@maxelendustri.com



## //İstanbul Merkez Ofis, TR

Maxel Endüstri Elektrik Elektronik San. ve Tic. Ltd. Şti.

Meclis, Barajyolu Cad, Çağatay Sok. No:1/E 34785

Sancaktepe/İstanbul

Mail: info@maxelendustri.com

(+90) 216 540 5432

(+90) 216 540 5433

## //Sakarya Satış Ofisi, TR

Muhsin Yazıcıoğlu Blv. No:71/37 Pk.54050

Serdivan/Sakarya

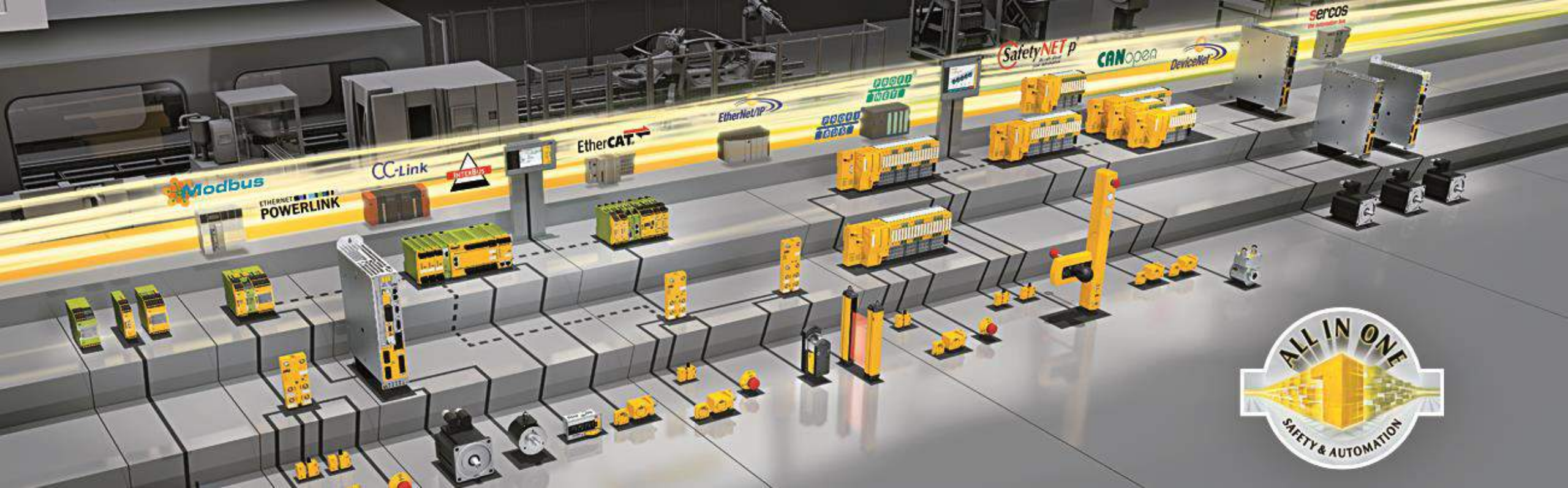
Mail: info@maxelendustri.com

(+90) 216 540 5432

(+90) 216 540 5433

## SATIN ALMA UZMANINIZ

- Profesyonel Satın Alma •
- Lojistik Yönetimi •
- Depo ve Stok Yönetimi •



## ► Product overview

**PILZ**  
THE SPIRIT OF SAFETY

# ► Individual solution for every industry

1/3

Packaging technology



Robotics



Digitisation for railway technology



Machine tools



Presses



Wind energy



## ► Individual solution for every industry

2/3

Steel and aluminium



Cable cars



Airports



Pulp and paper industry



Consumer goods packaging



Food industry



# ► Individual solution for every industry

3/3

Pharmaceutical industry



Automotive industry



# ► Product overview

1/2

## Sensor technology



## Relays



## Small controllers PNOZmulti



## Controllers



## Drive technology



## Robotics



# ► Product overview

2/2

## Networks



## Operation and monitoring



## Software



## Connection technology



# ► Product overview

## Sensor technology



## Relays



## Small controllers PNOZmulti



## Controllers



## Drive technology



## Robotics





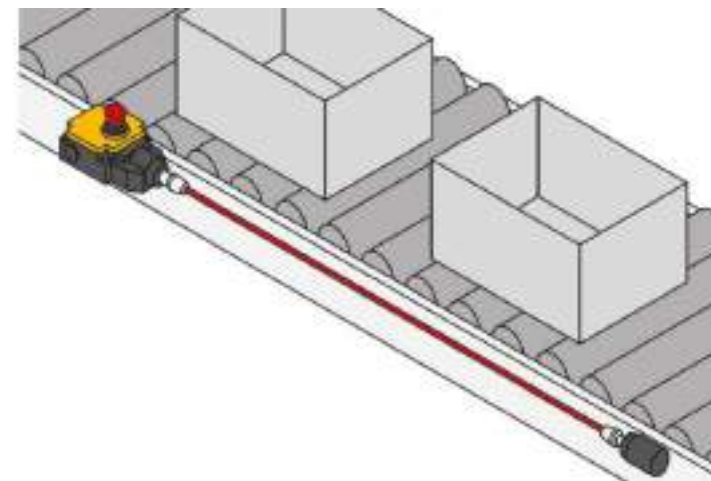


**PILZ**  
THE SPIRIT OF SAFETY

► **Devices for position monitoring**

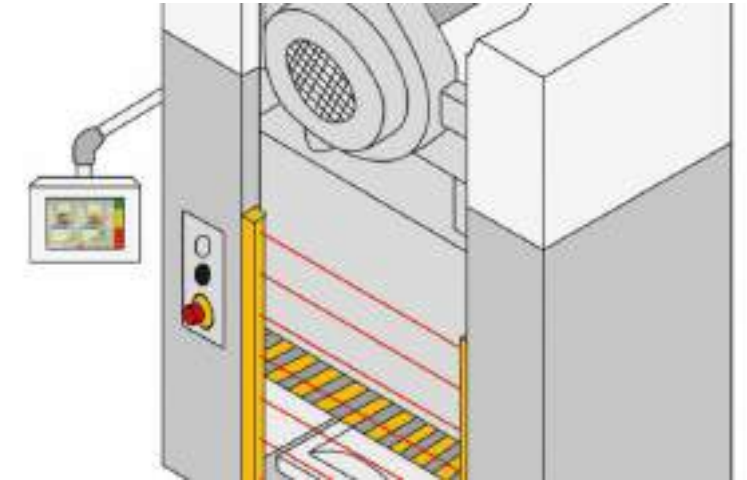
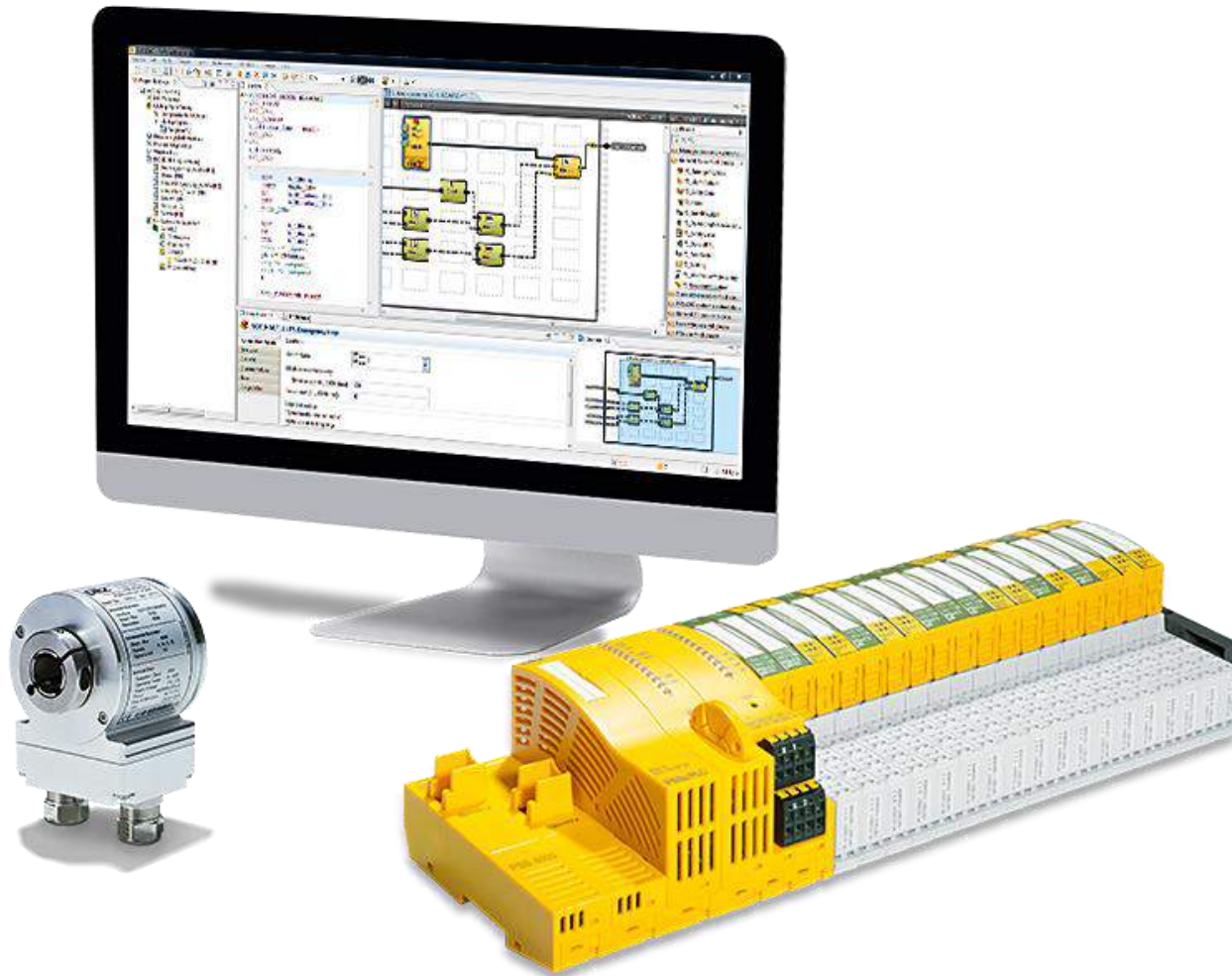
## ► Devices for position monitoring

Safe rope pull switch PSENrope



## ► Devices for position monitoring

### Rotary encoder PSENenco





**PILZ**  
THE SPIRIT OF SAFETY

► **Safety switches**

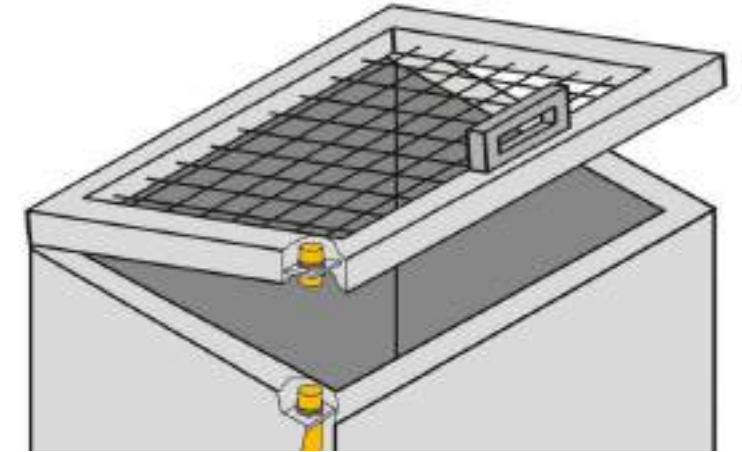
## ► Safety switches

Mechanical safety switch PSENmech



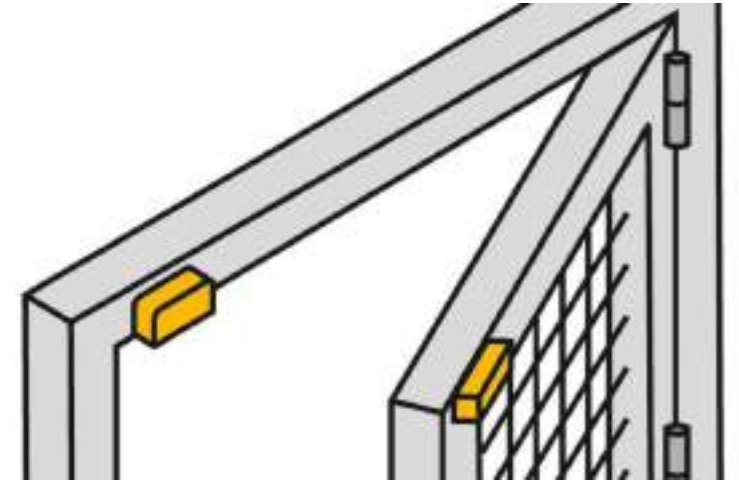
## ► Safety switches

Non-contact, magnetic safety switch PSENmag



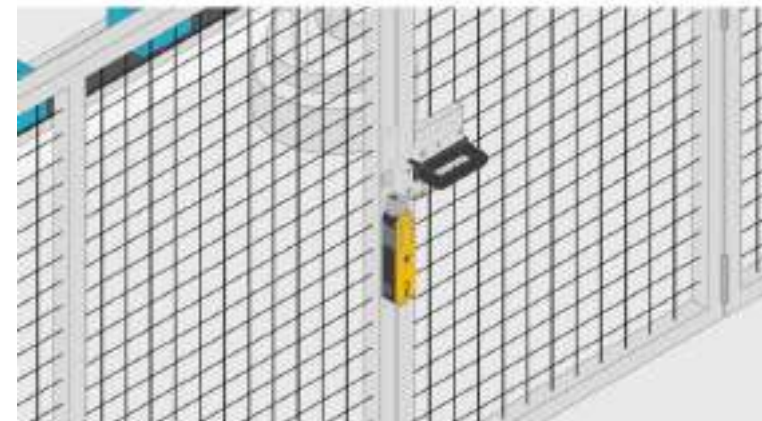
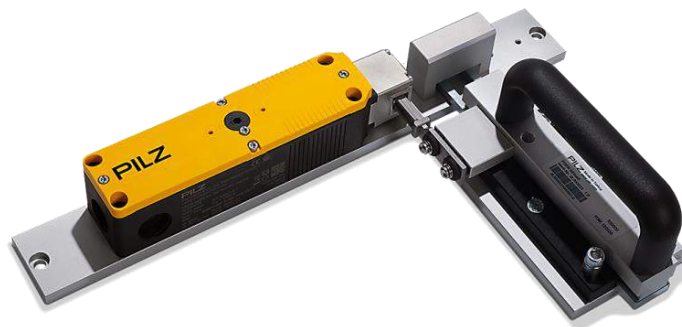
## ► Safety switches

Coded safety switches PSENcode



## ► Safety switches

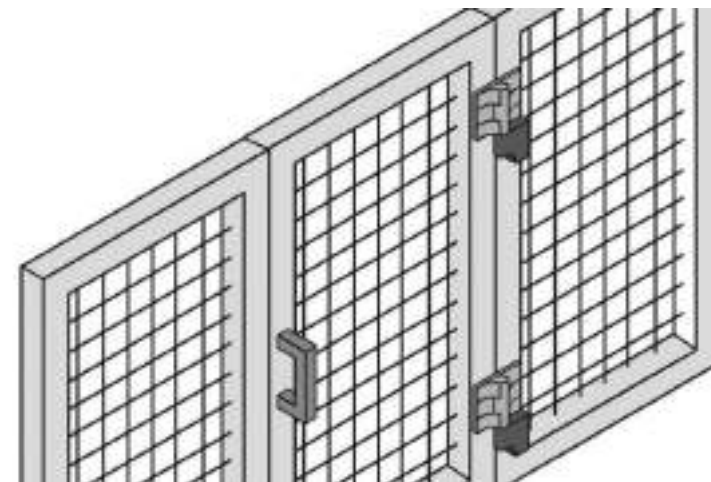
### Safety bolt PSEnbolt





## ► Safety switches

Safe hinge switches PSEnhinge





▶ **Safety gate systems**

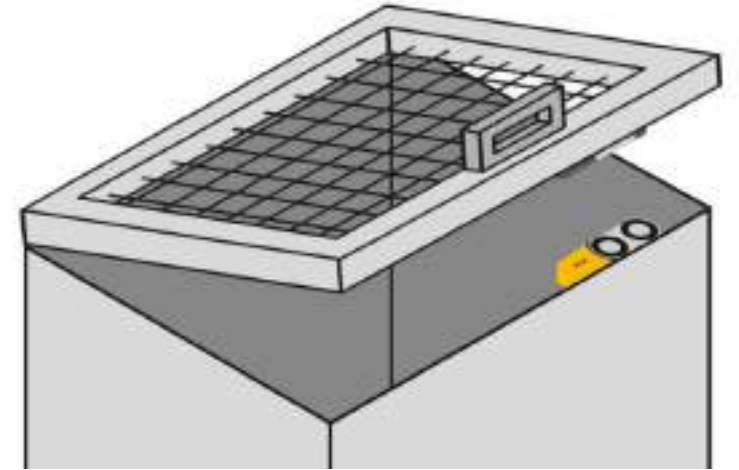
## ► Safety switches

Mechanical safety gate system PSENmech with guard locking



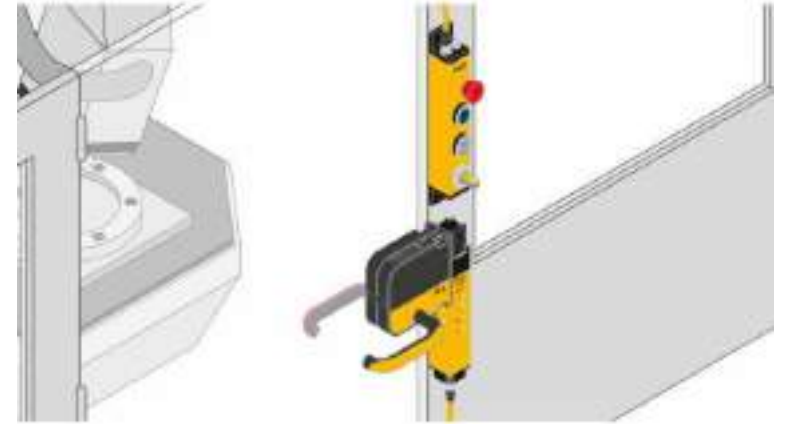
## ► Safety switches

Safety gate system PSENslock



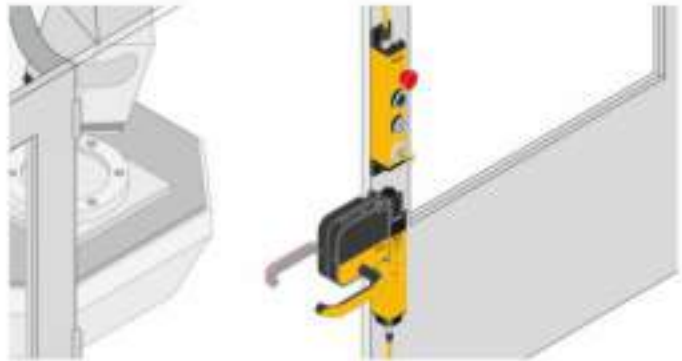
## ► Safety switches

Safety gate system PSENmlock 1/2

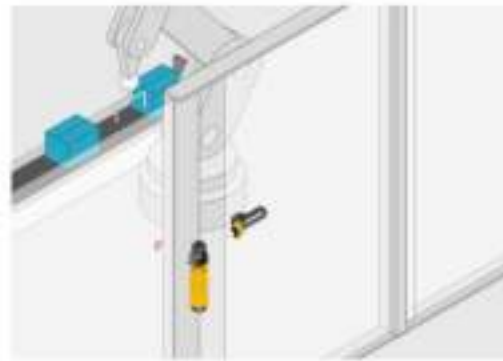


## ► Safety switches

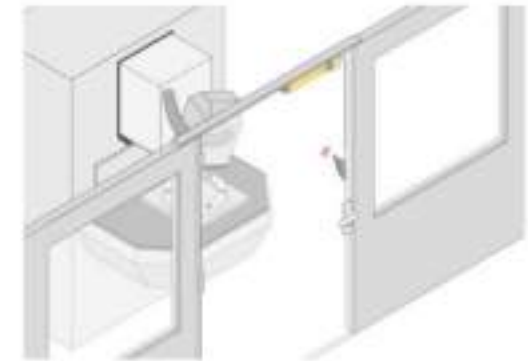
### Safety gate system PSENmlock 2/2



PSENmlock door handle module with an integrated escape release



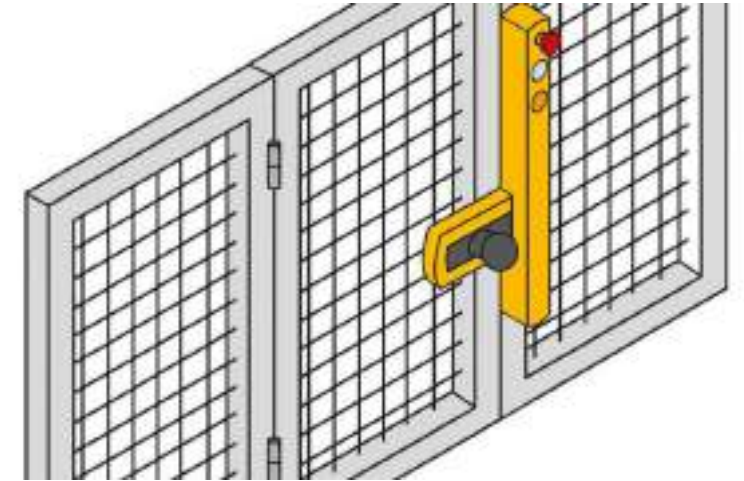
Separate door handles



Escape releases

## ► Safety switches

Safety gate system PSENsgate





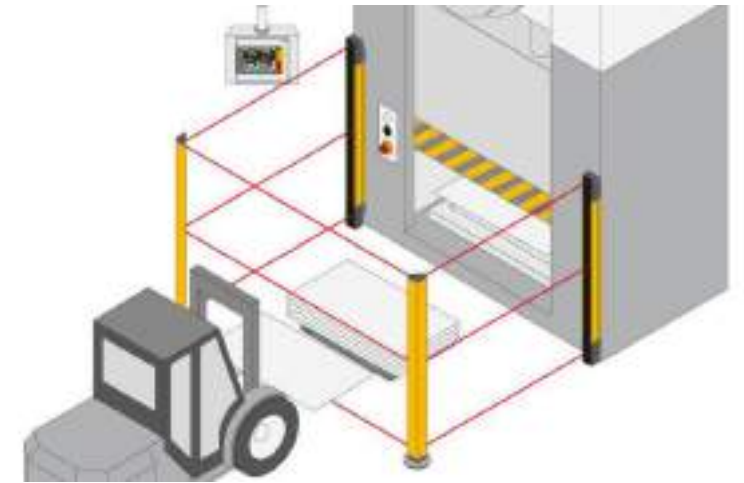
▶ **Optoelectronic sensors**

**PILZ**  
THE SPIRIT OF SAFETY



## ► Safety switches

Light curtain PSENopt



## ► Safety switches

Light curtain PSENopt – Second generation 1/2



## ► Safety switches

Light curtain PSENopt – Second generation 2/2

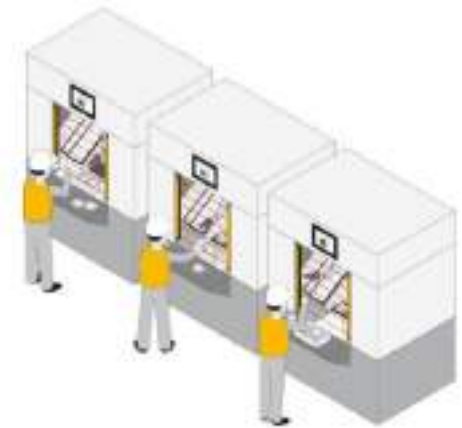
Protect your light curtains PSENopt II from damage - with the PSENopt II post protectors



Accessory for the light curtain PSENopt II to prevent restart



Integrated coding on all PSENopt II safety light curtains



## ► Safety switches

Safety laser scanner PSENscan 1/5



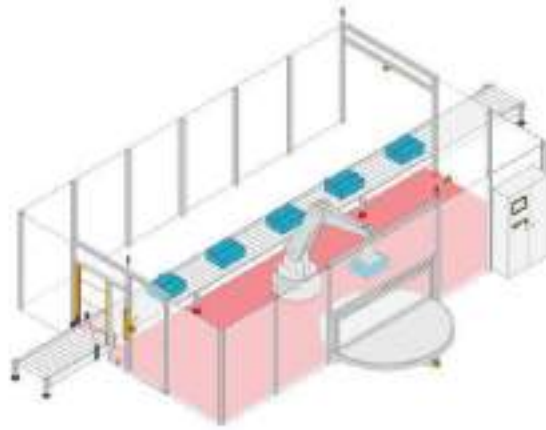
## ► Safety switches

Safety laser scanner PSENscan 2/5

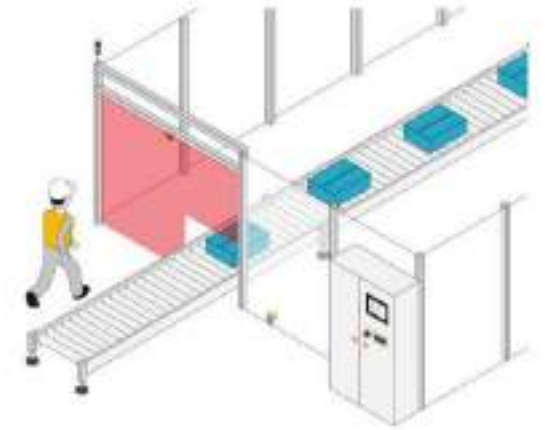
Stationary safeguarding of danger zones



Protection against encroachment from behind



Access guarding



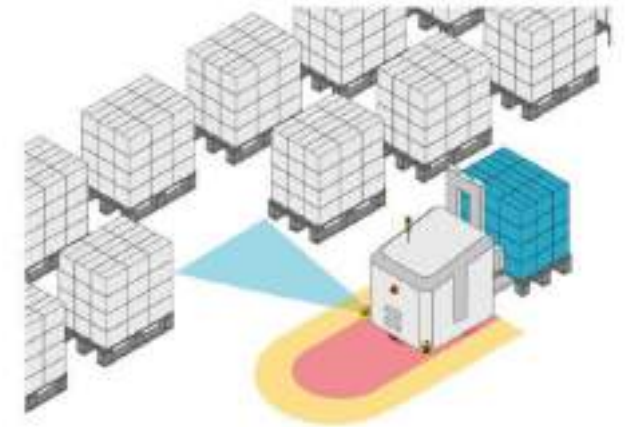
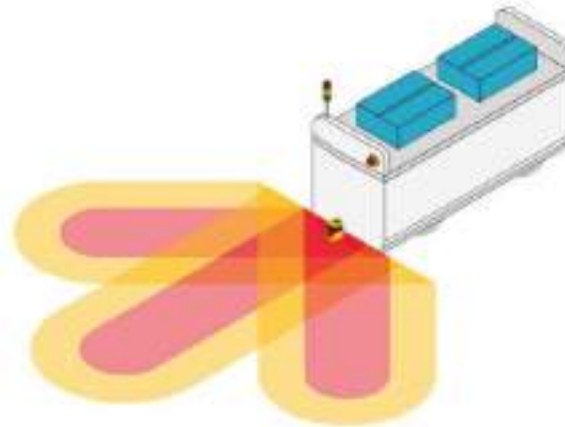
## ► Safety switches

### Safety laser scanner PSENscan 3/5

All-round protection

Safe cornering

Have the complete picture



## ► Safety switches

Safety laser scanner PSENscan 4/5

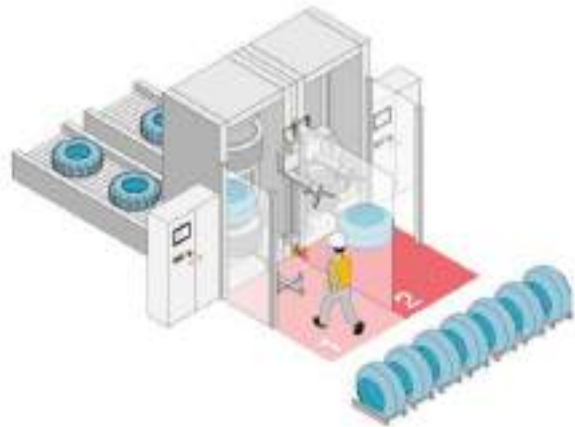


ROS packages for AGV navigation

## ► Safety switches

### Safety laser scanner PSENscan 5/5

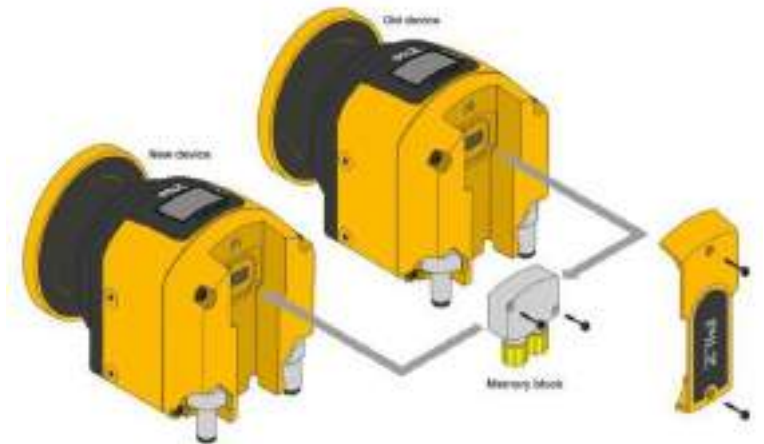
Simultaneous monitoring of up to 3 safety zones



Simple configuration thanks to series connection



High availability thanks to fast replacement





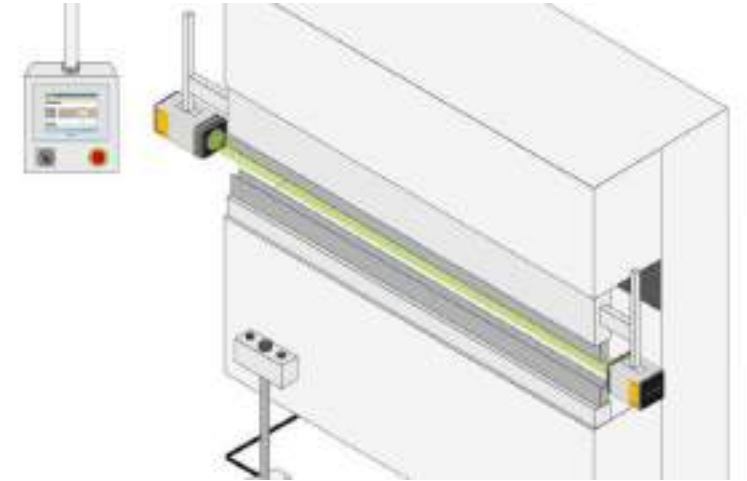


**PILZ**  
THE SPIRIT OF SAFETY

▶ **Safe camera systems**

## ► Safety switches

Camera-based protection system PSEnvip



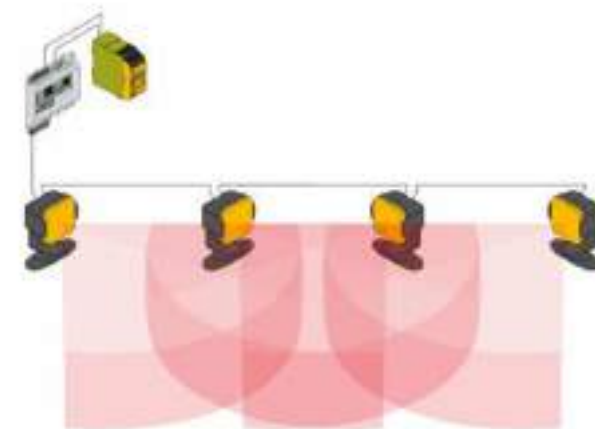


**PILZ**  
THE SPIRIT OF SAFETY

▶ **Safe radar sensor PSENradar**

## ► Safety switches

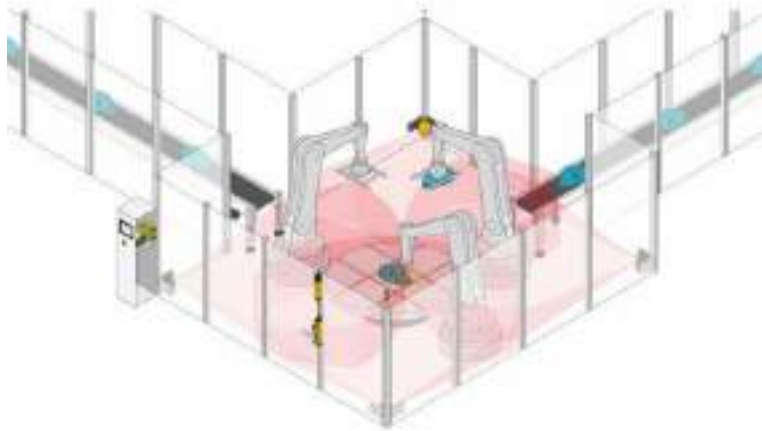
Safe radar sensor PSENradar 1/2



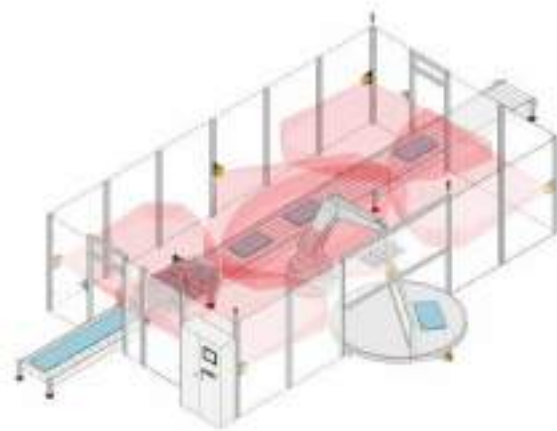
## ► Safety switches

### Safe radar sensor PSENradar 1/2

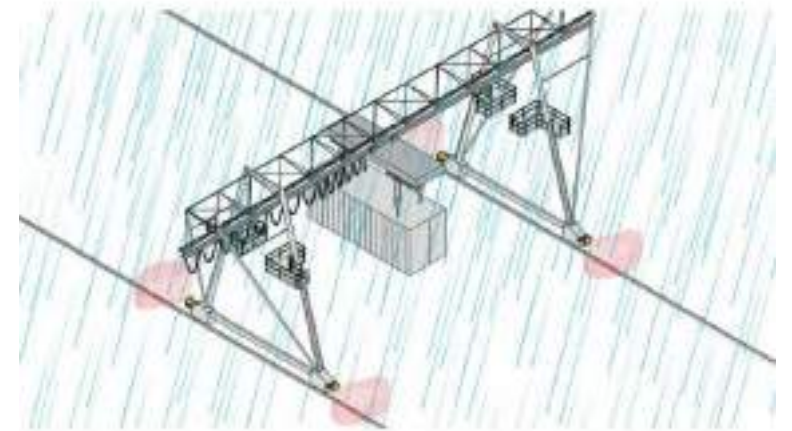
Rear access protection in metalworking



Safe woodworking thanks to protection zone monitoring



Using radar sensors to safeguard outdoor applications



# ► Product overview

1/2

## Sensor technology



## Relays



## Small controllers PNOZmulti



## Controllers



## Drive technology



## Robotics

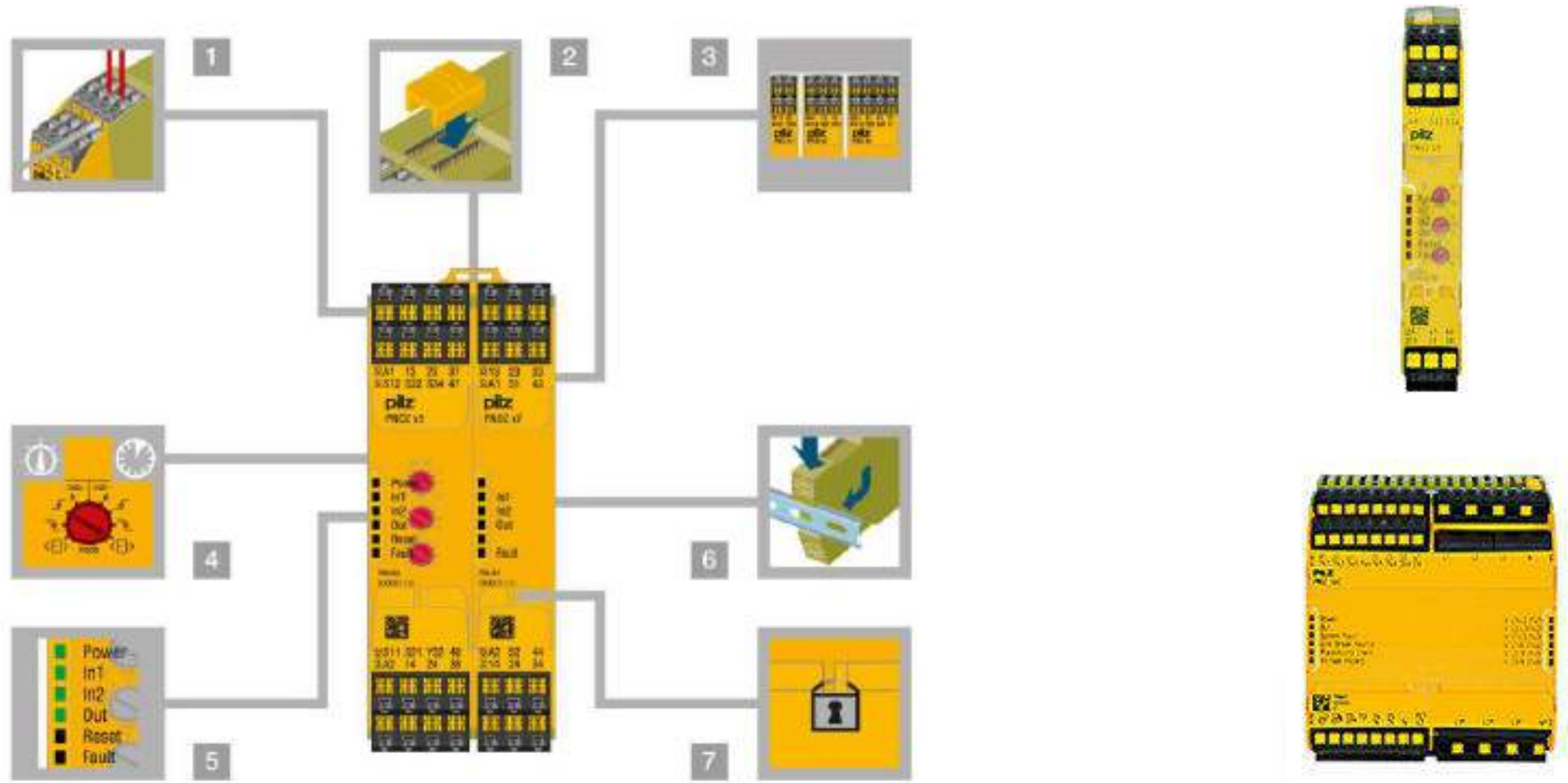




► **Safety relay/safety relays PNOZ**

## ► Safety relay/safety relays PNOZ

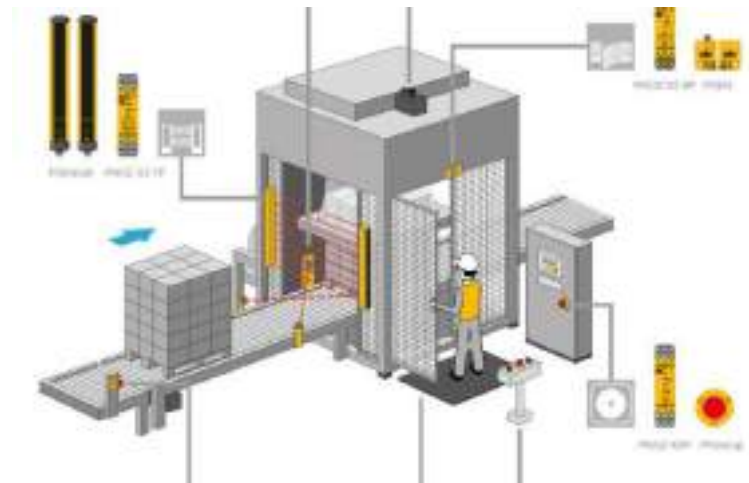
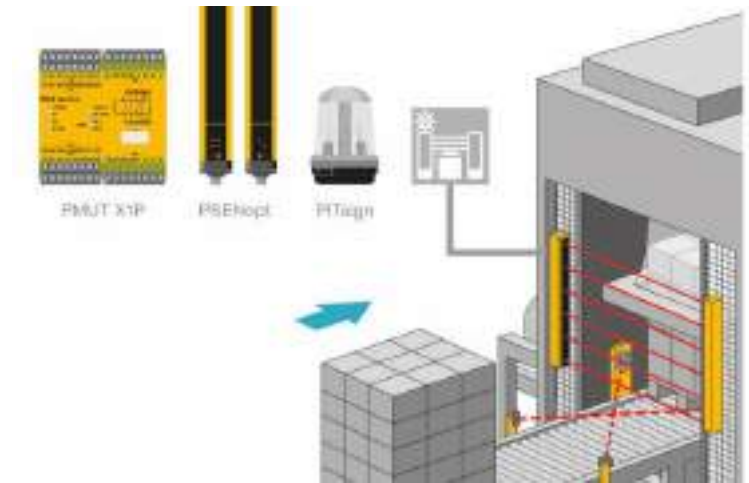
### PNOZsigma safety relay





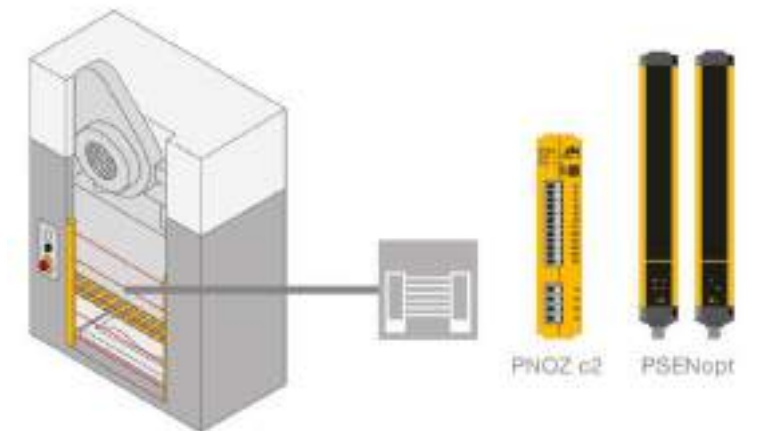
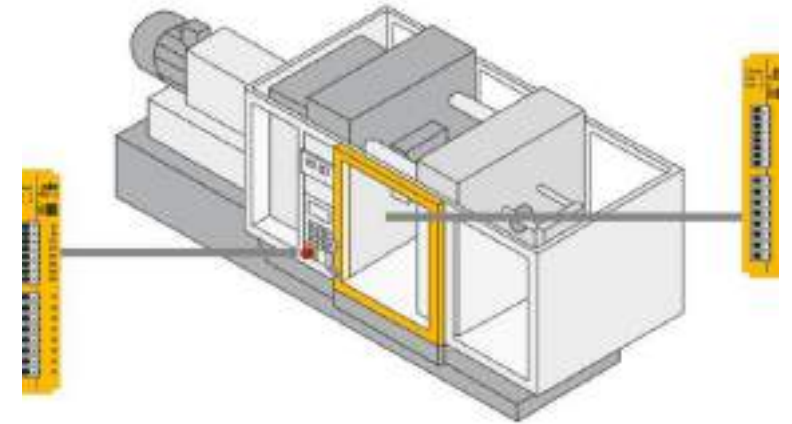
# ► Safety relay/safety relays PNOZ

## PNOZ X safety relays



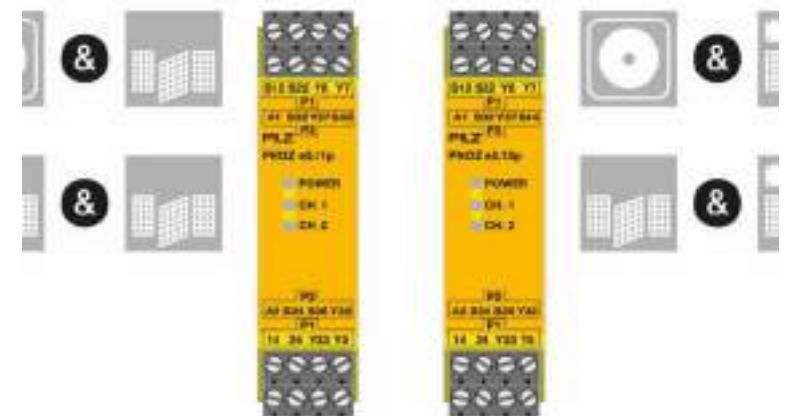
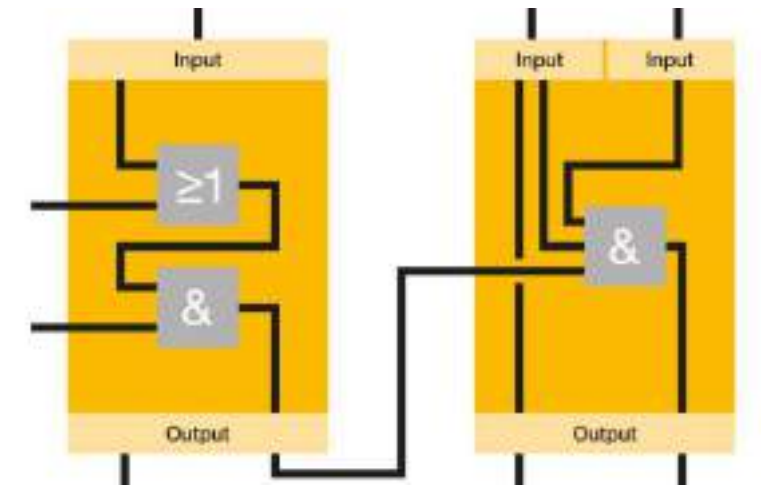
# ► Safety relay/safety relays PNOZ

## PNOZcompact safety relay



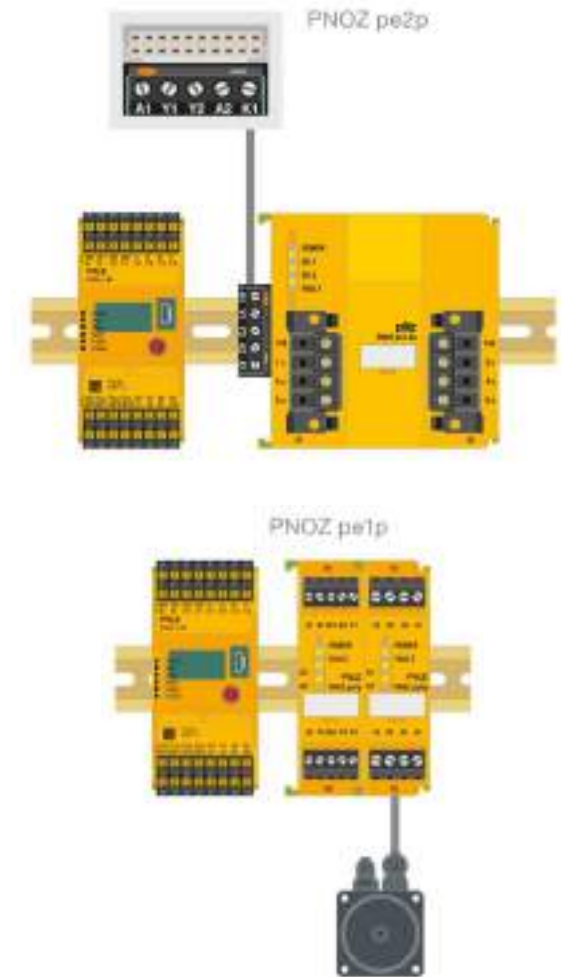
## ► Safety relay/safety relays PNOZ

PNOZelog safety relay



## ► Safety relay/safety relays PNOZ

PNOZpower safety relays

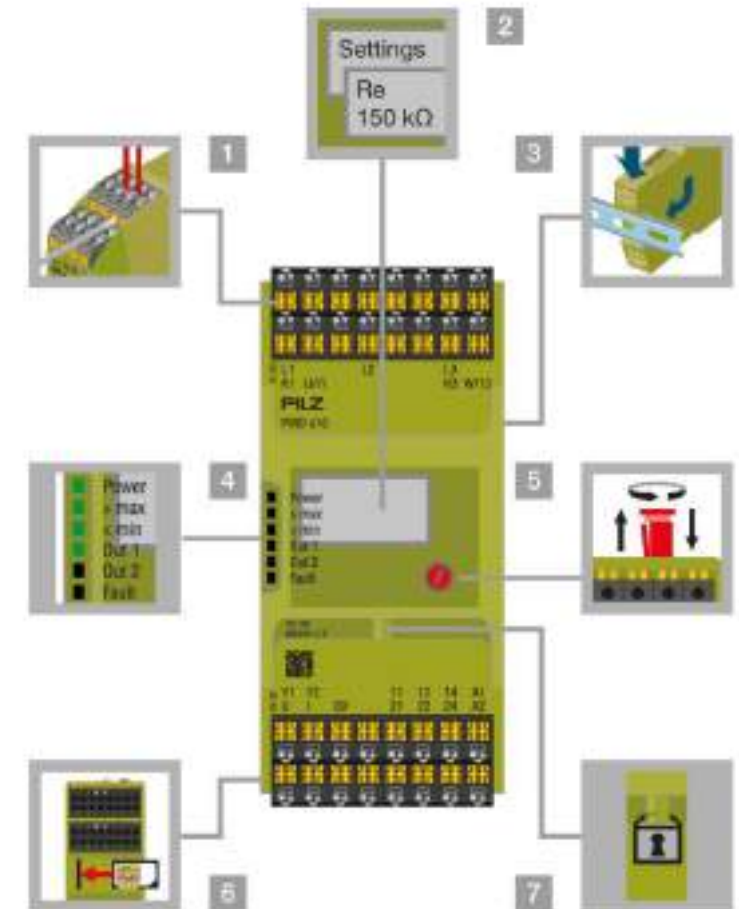




► **Monitoring relays**

## ► Monitoring relays

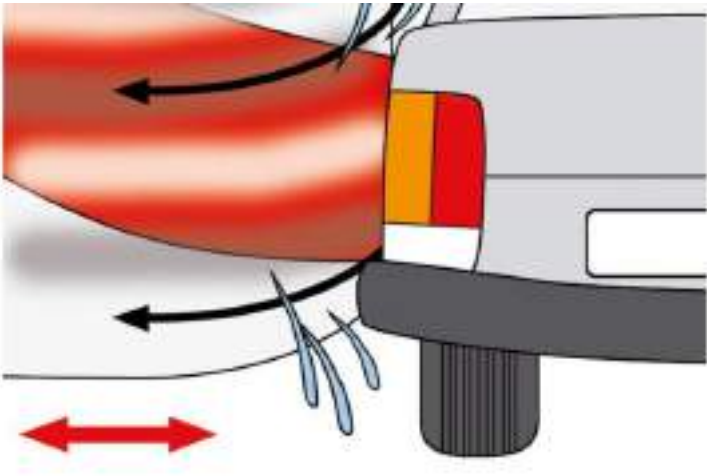
### Electronic monitoring relays PMDsigma 1/2



## ► Monitoring relays

### Electronic monitoring relays PMDsigma 2/2

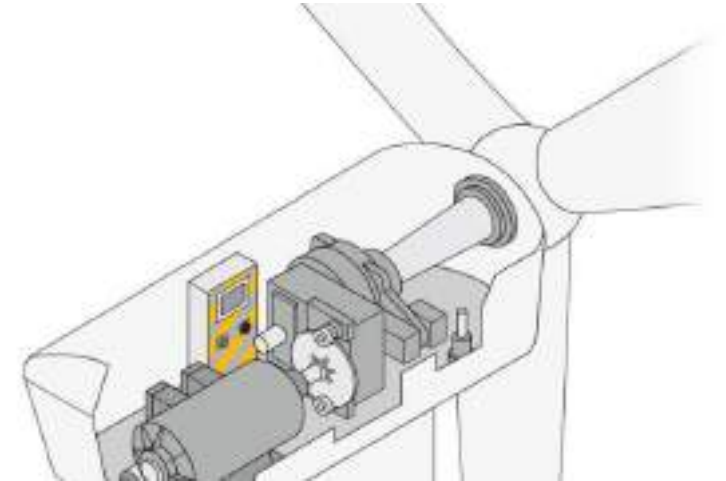
True power monitor PMD s10  
To control the brush pressure on car washes.



Insulation monitor PMD s20  
Clinical operation zones with  
insulation monitoring

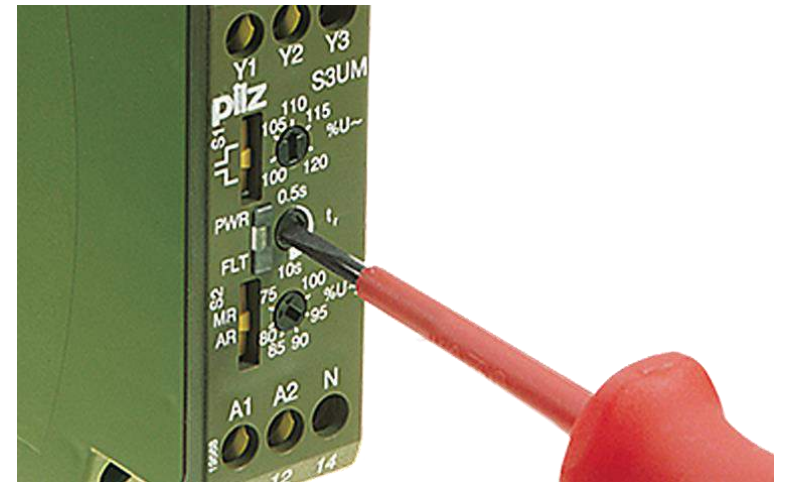
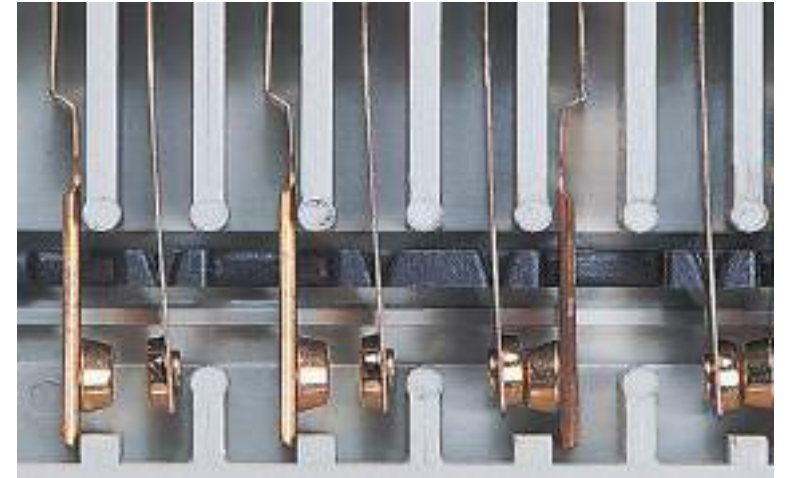


Insulation monitor PMD s20  
Offshore installations such as wind  
turbines, clarification plants and  
shiplifts.



## ► Monitoring relays

Electronic monitoring relays PMDsrage 1/2



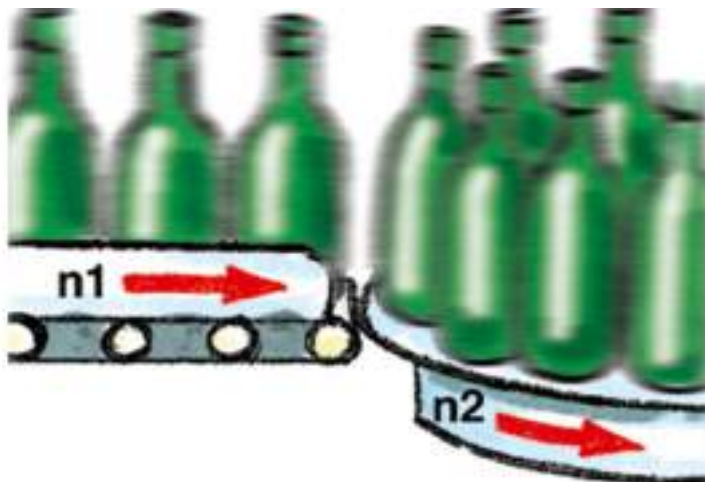


## ► Monitoring relays

Electronic monitoring relays PMDsrage 2/2

"Bottling plant" with voltage monitoring

monitoring relay ensures that the plant is shut down in a controlled manner



"Hospital" with insulation monitoring

Use insulation monitoring in hospitals



"Monitoring fault voltage and insulation on welding transformers"





▶ **Line inspection devices**

## ► Line inspection devices

Maximum safety for long cable routes – With PLIDdys!

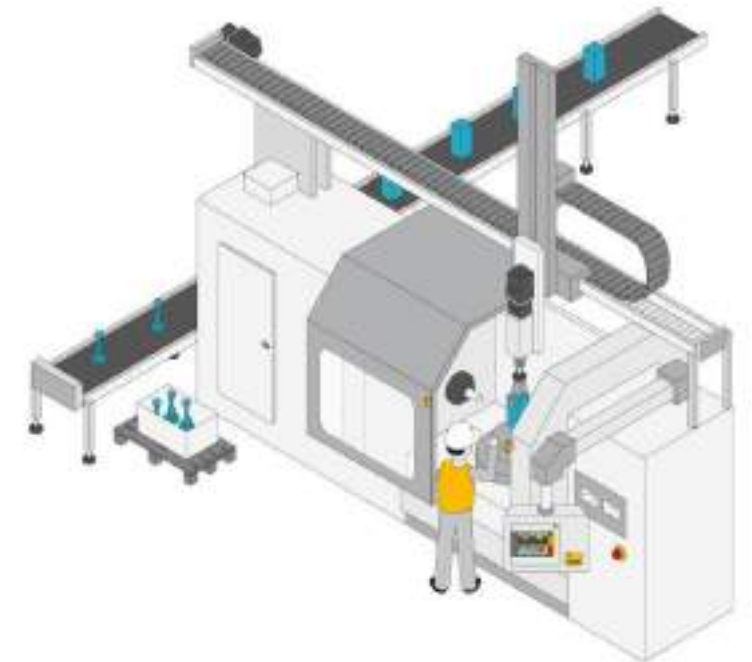




► Brake control devices

## ► Brake control devices

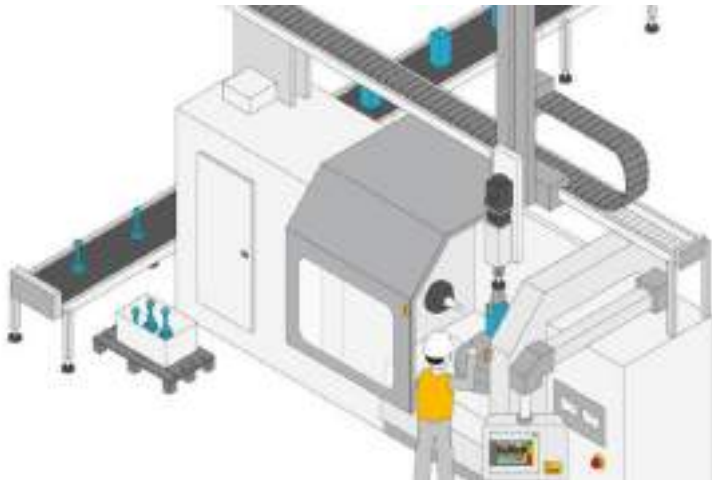
Safety relay PNOZ s50 for safe brake control 1/2



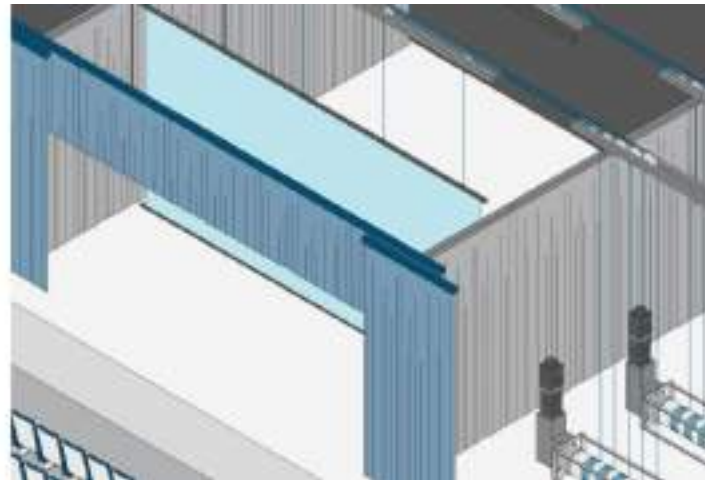
## ► Brake control devices

### Safety relay PNOZ s50 for safe brake control 2/2

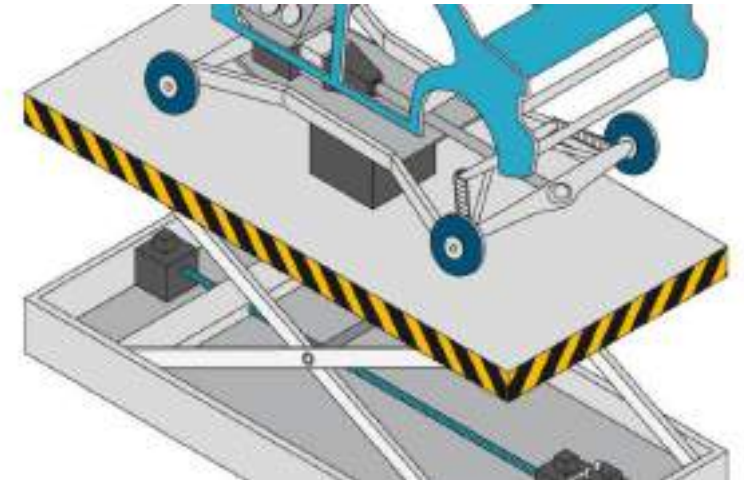
Application on gravity-loaded axes



Application in stage technology on winches



Application on scissor tables



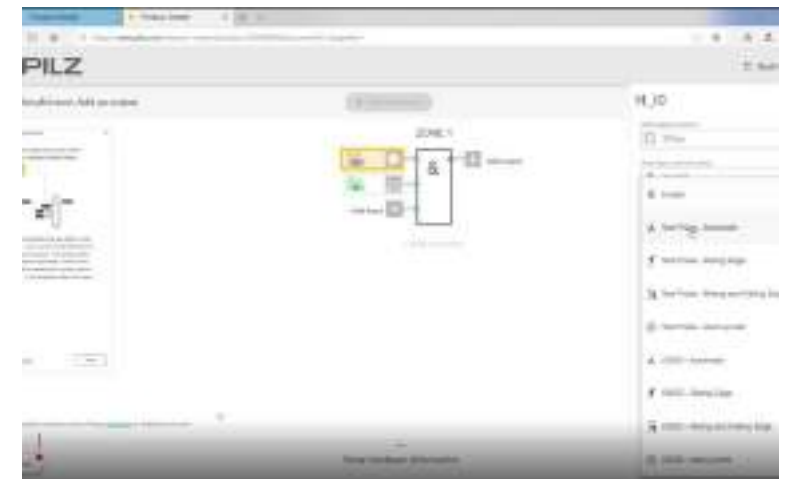
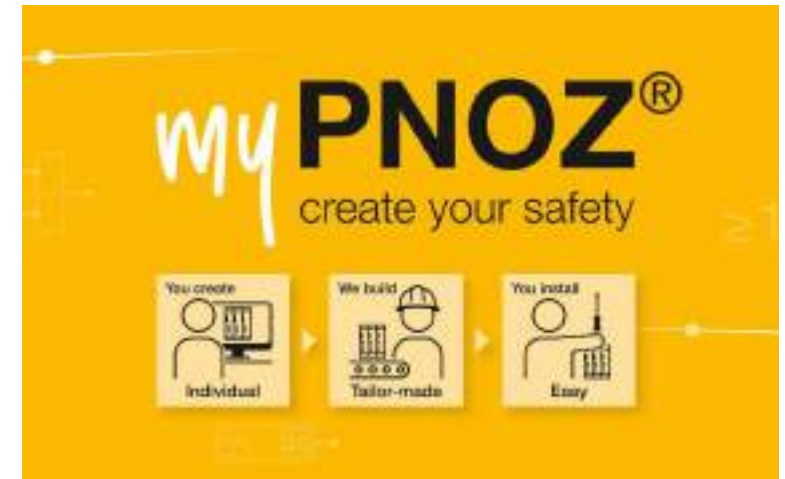
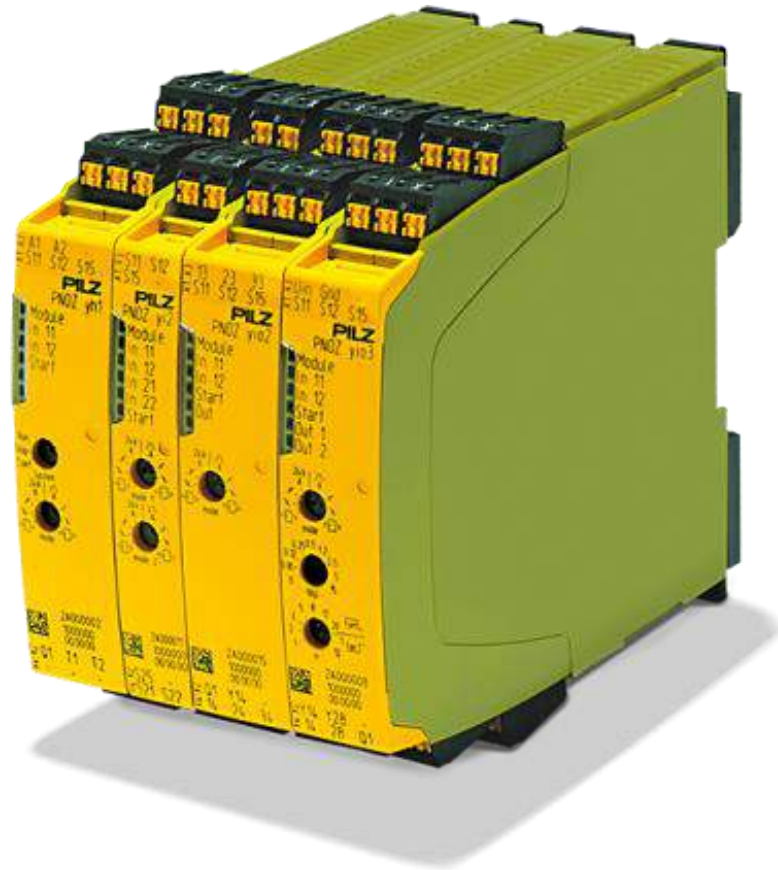


**PILZ**  
THE SPIRIT OF SAFETY

► **Modular Relay myPNOZ**

## ► Modular Relay myPNOZ

myPNOZ – the new, modular safety relay





# ► Product overview

1/2

## Sensor technology



## Relays



## Small controllers PNOZmulti



## Controllers



## Drive technology



## Robotics





**PILZ**  
THE SPIRIT OF SAFETY

▶ **Small controllers PNOZmulti 2**

## ► Small controllers PNOZmulti 2

It's multi-talented and fits into any system!



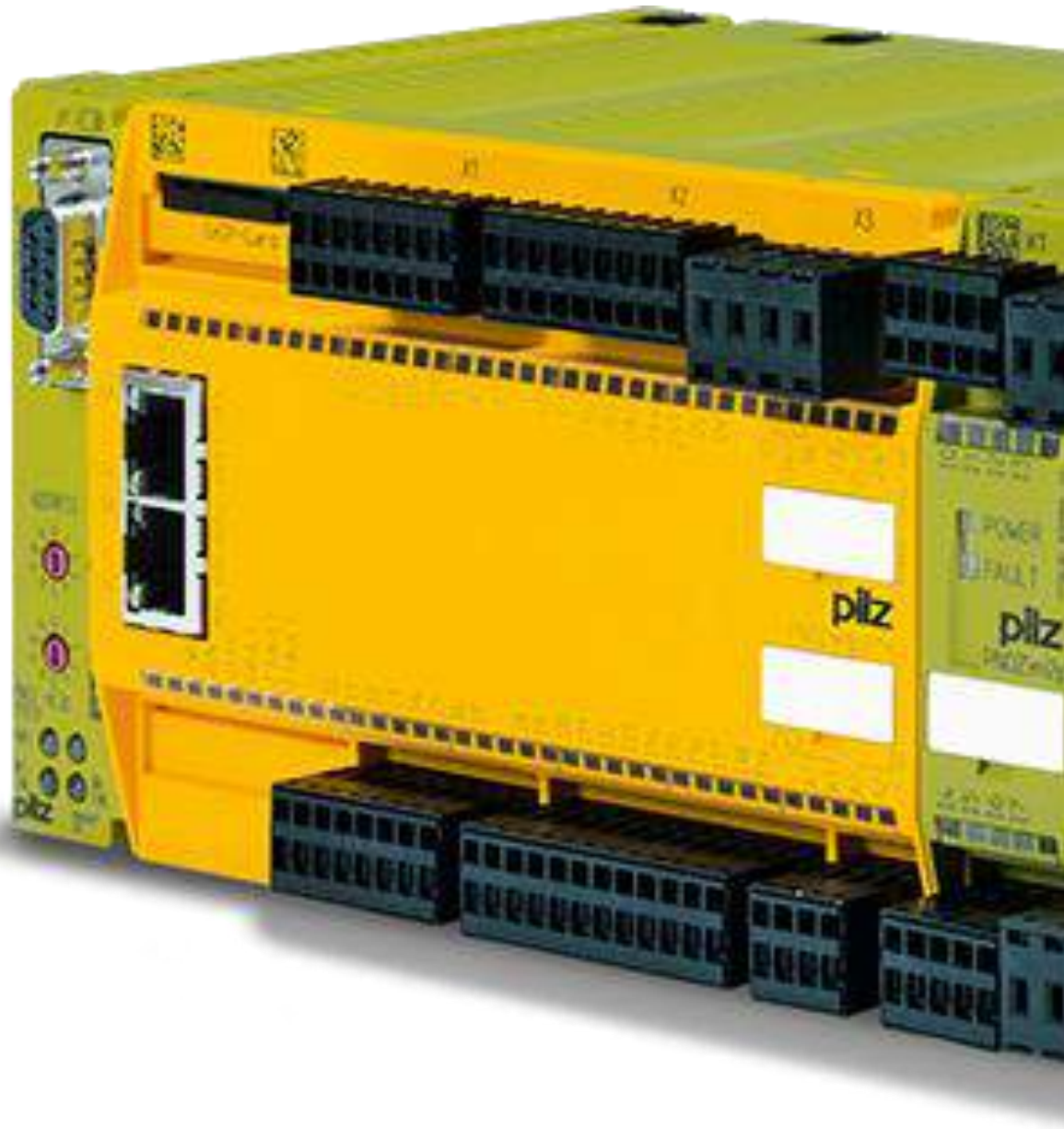


- ▶ **Configurable compact controllers  
PNOZmulti Mini**

## ► Configurable compact controllers PNOZmulti Mini

As simple as a safety relay, as flexible as a controller





- ▶ **Configurable safety systems  
PNOZmulti**

## ► Configurable safety systems PNOZmulti

The original configurable safety system!



# ► Product overview

1/2

## Sensor technology



## Relays



## Small controllers PNOZmulti



## Controllers



## Drive technology



## Robotics





► **PLC controllers**



## ► PLC controllers

PSSuniversal – Controllers in the automation system PSS 4000



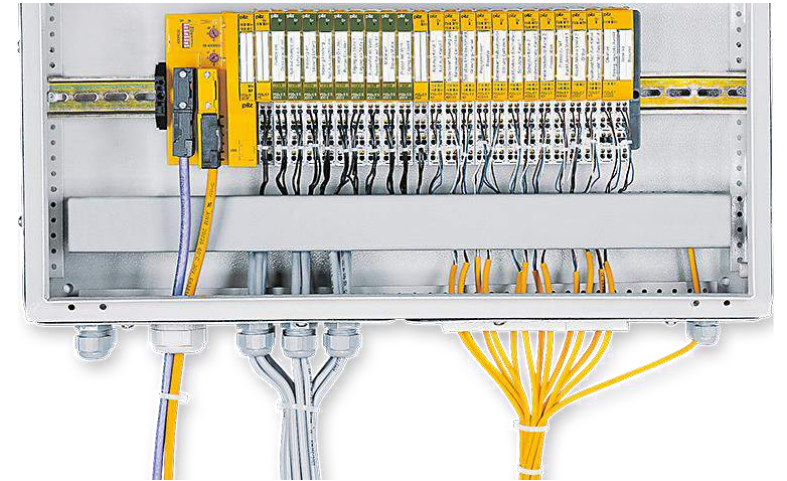
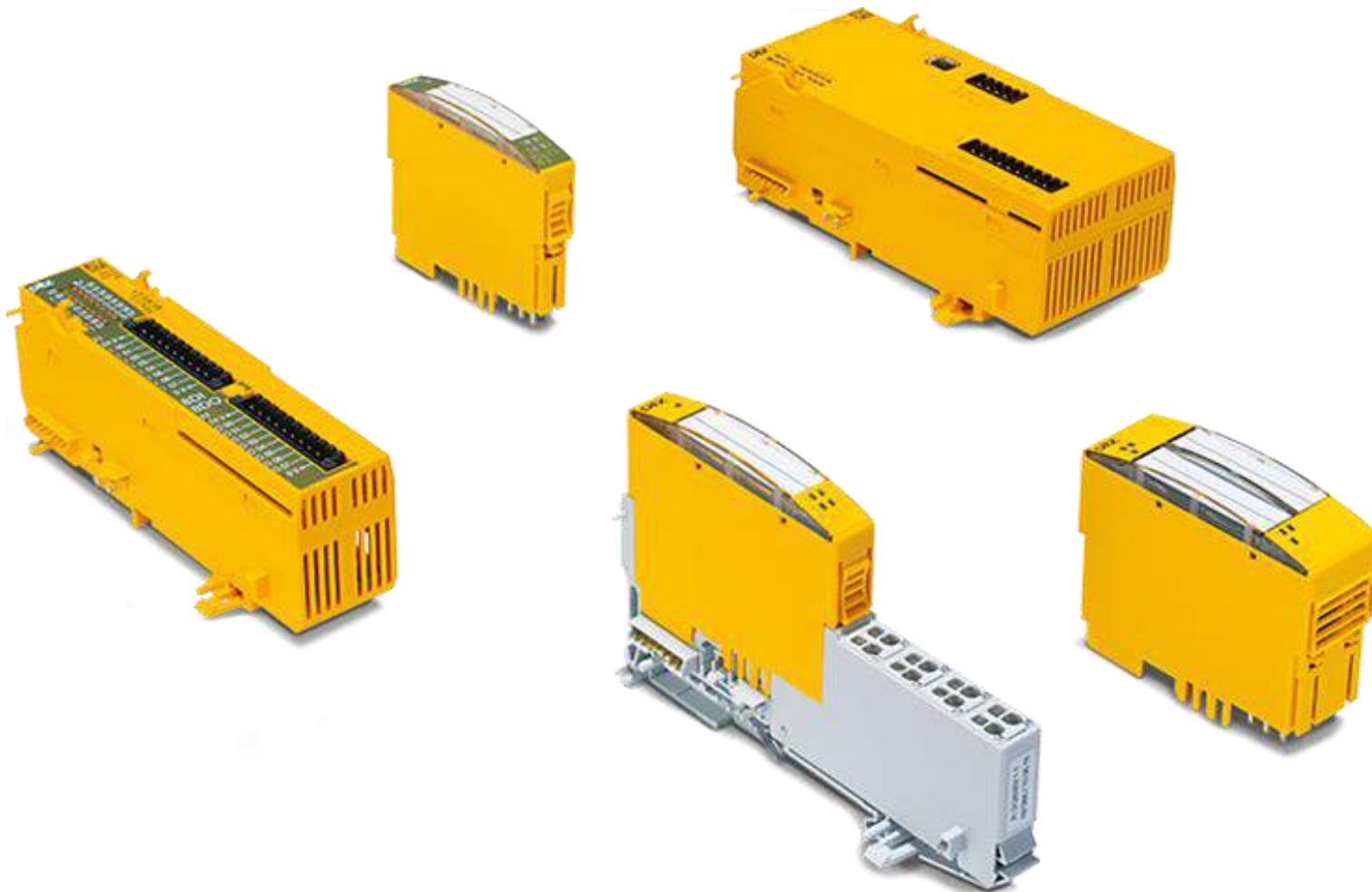


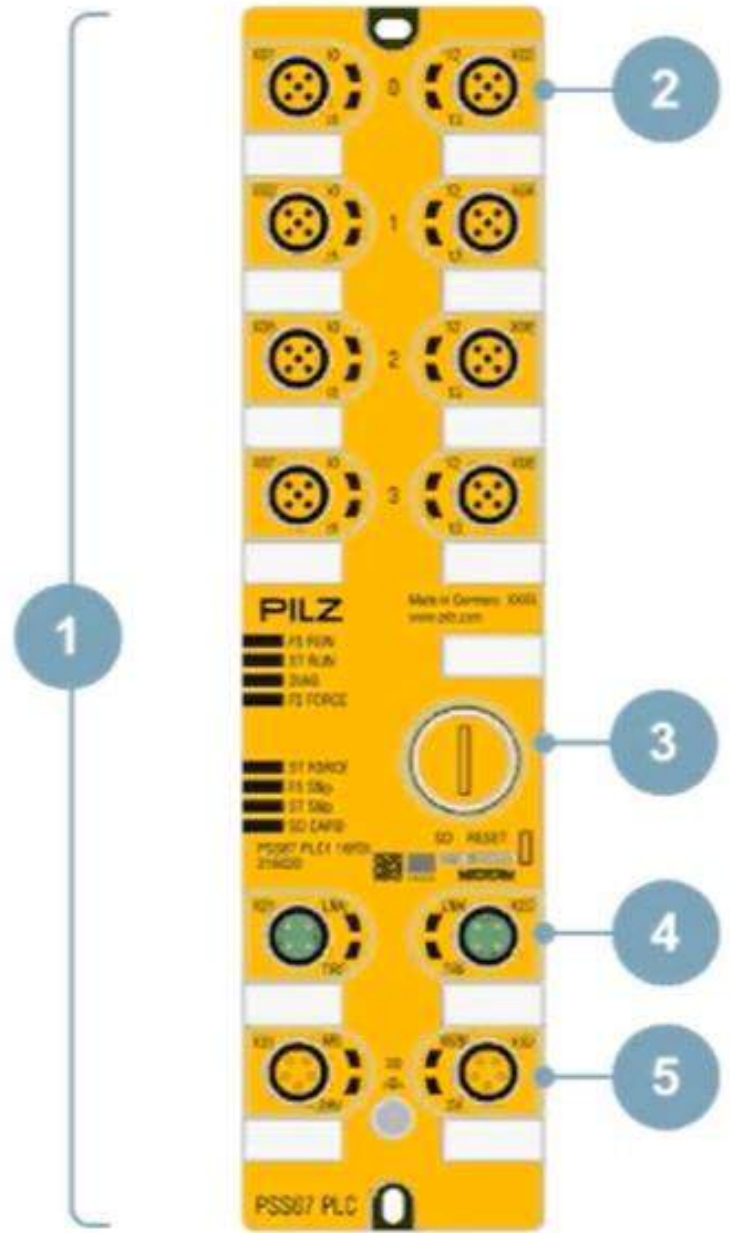
► I/O modules

**PILZ**  
THE SPIRIT OF SAFETY

## ► I/O modules

PSSuniversal – I/O modules for controllers and I/O systems

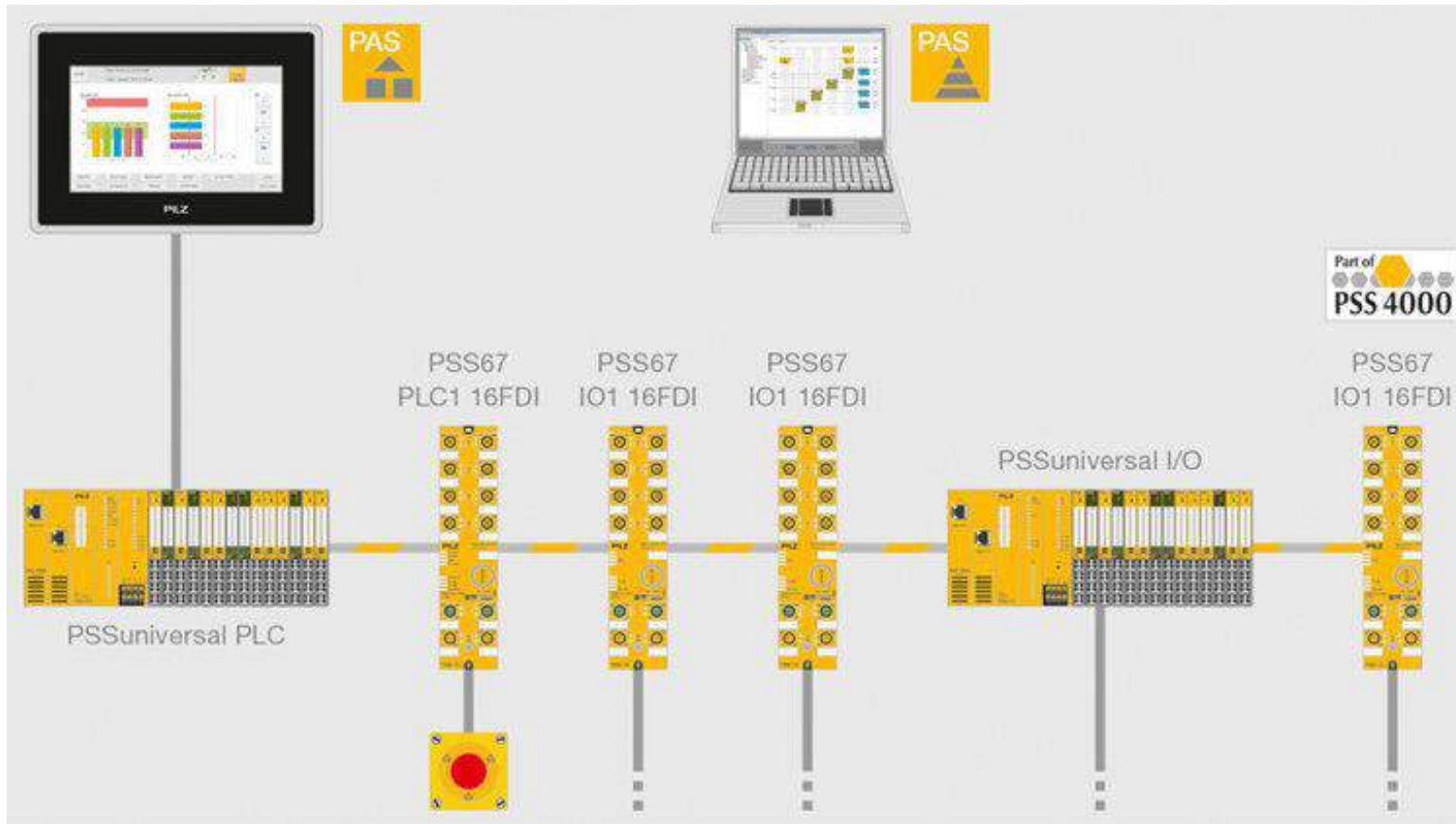




► **PSS67 PLC: First safe control system with protection type IP67**

# ▶ PSS67 PLC: First safe control system with protection type IP67

Safe automation without control cabinet



# ► Product overview

1/2

## Sensor technology



## Relays



## Small controllers PNOZmulti



## Controllers



## Drive technology



## Robotics





► **Motion control – Understanding what moves you**



► **Motion control – Understanding what moves you**  
Control systems which will drive your application forward

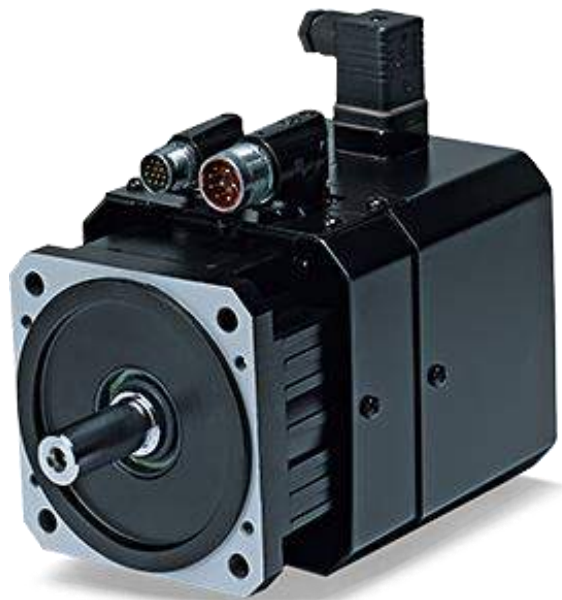




▶ **Servo motors**

## ▶ Servo motors PMCtendo

Servo motors for dynamic and precision movements





► **Servo amplifiers**

## ► Servo amplifiers

Servo amplifiers – the converters that control everything for you





**PILZ**  
THE SPIRIT OF SAFETY

▶ **Safe motion – First across the line**

## ► Safe motion – First across the line

Achieve up to performance level PL e with any feedback system



# ► Product overview

1/2

## Sensor technology



## Relays



## Small controllers PNOZmulti



## Controllers



## Drive technology



## Robotics







**PILZ**  
THE SPIRIT OF SAFETY

► **ROS: Robot Operating System**

## ► ROS: Robot Operating System

Design robotics to be open!



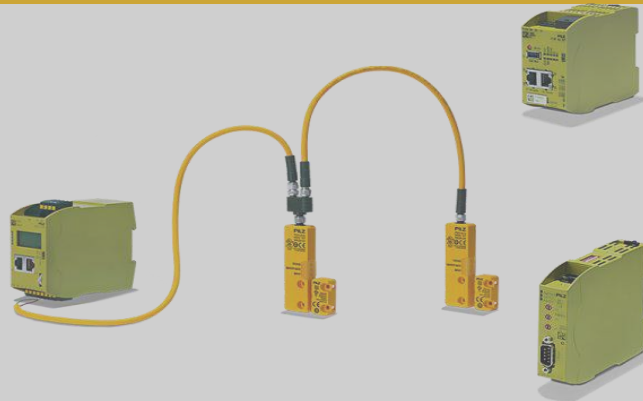
# ROS



# ► Product overview

2/2

## Networks



## Operation and monitoring



## Software



## Connection technology





► **Fieldbus and Ethernet systems**

## ► **Fieldbus and Ethernet systems**

For powerful networks!





**PILZ**  
THE SPIRIT OF SAFETY

► **Device Diagnostic System**

## ▶ Device Diagnostics System

Higher machine availability due to comprehensive diagnostics



# ► Product overview

2/2

## Networks



## Operation and monitoring



## Software



## Connection technology







► **Control and signal devices**

## ► E-STOP pushbutton PITestop

Safety in hazardous situations using emergency stop

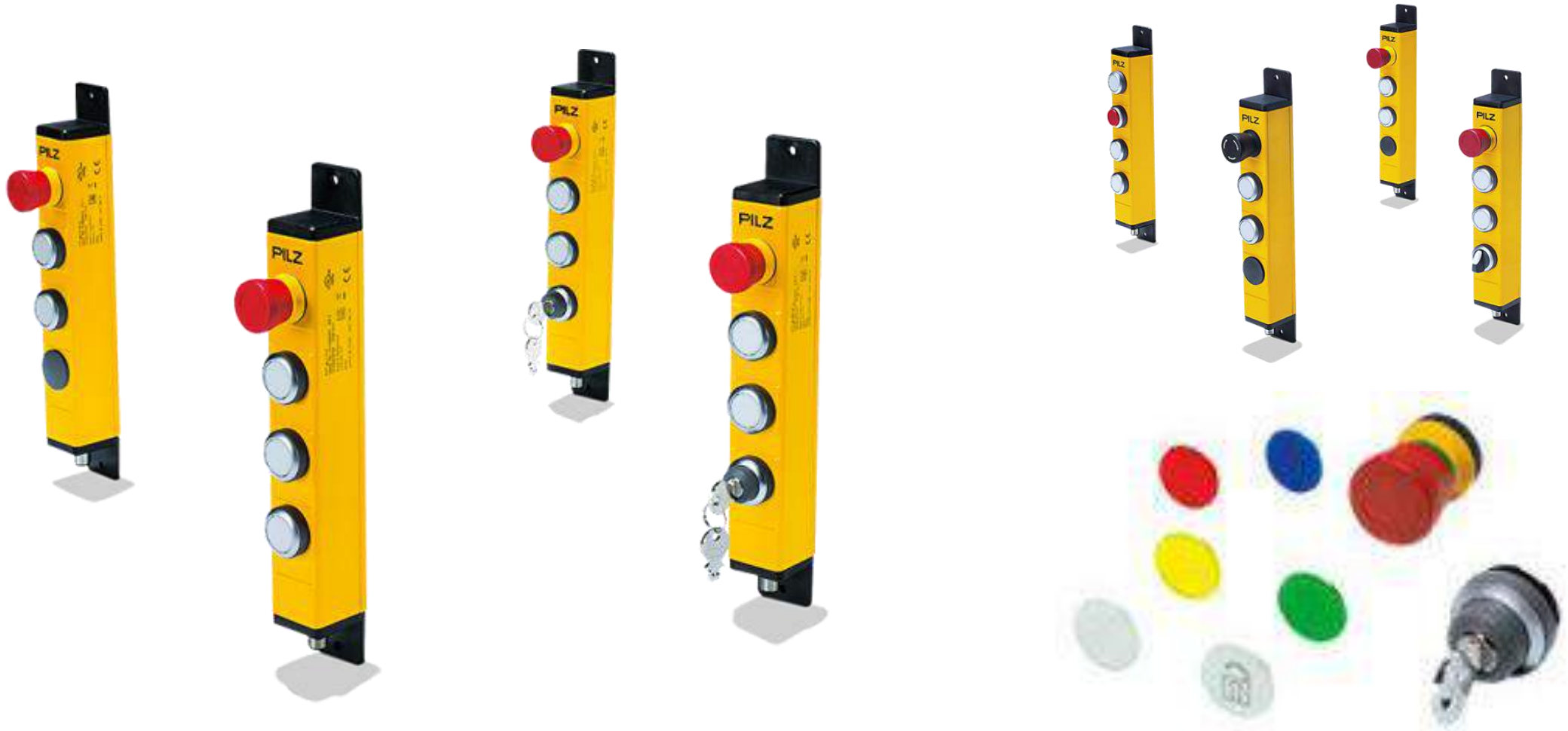


**BI**  
BEST OF  
INDUSTRY  
A W A R D  
NOMINEE 2018



## ► Pushbutton unit PITgatebox

Simple operation of your safety gate system



## ► Manually operated control devices PITjog

All risks under control with control devices



## ▶ Operating mode selection and access permission system PITmode

Safety and security functions in one system



## ► Enabling switch PITenable

Safe adjustment and maintenance with one hand



## ► Muting lamps PITsign

Safe display of muting states



## ► Control elements PIToe

Compact pushbuttons for a variety of uses



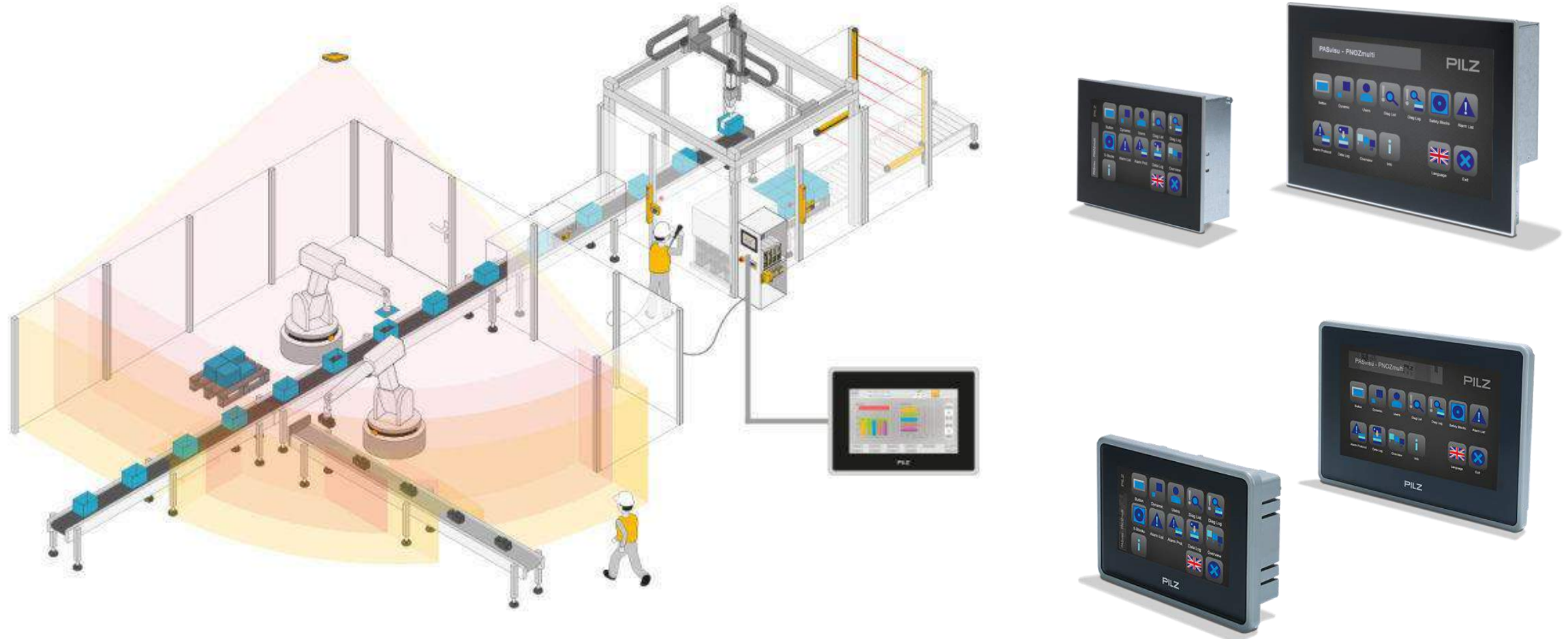




- ▶ **PMI operator devices / operator terminals**

# ► PMIvisu – the visualisation terminal with pre-installed visualisation software

Operator terminals in the PMI v8 and PMI v7e series



# ► PMIcontrol and PMIprimo

## Operator terminals in the 6 Series



# ► Product overview

2/2

## Networks



## Operation and monitoring



## Software



## Connection technology





**PILZ**  
THE SPIRIT OF SAFETY

► **Visualisation software**

## ► Visualisation software

Visualisation software for all phases of the machine lifecycle





**PILZ**  
THE SPIRIT OF SAFETY

▶ **Service software**

## ► Service software

User-friendly and clear: our service software tools



### **PASloto - Lock Out Tag Out**

This is how to document your Lockout Tagout procedures and processes quickly and simply: with the clear documentation software PASloto.

→ **PASloto - Lock Out Tag Out**



### **PAScal Safety Calculator for EN ISO 13849-1 calculation**

Determine safety levels with ease! With the Safety Calculator PAScal, you have a handy tool to verify functional safety in accordance with EN ISO 13849-1 and EN/IEC 62061. It's a cool software!

→ **PAScal Safety Calculator for EN ISO 13849-1 calculation**



### **PASupdate: all software updates at a glance**

PASupdate shows you all available updates for our software products at a glance. Start the download process for them directly from PASupdate!

→ **PASupdate: all software updates at a glance**



### **PASconnect: easily link multiple projects**

With PASconnect you can link multiple projects from the automation system PSS 4000 via SafetyNET p. This way to the download.

→ **PASconnect: easily link multiple projects**





**PILZ**  
THE SPIRIT OF SAFETY

► **Software - sensor technology**

## ► Software - sensor technology

User-friendly software tools for Pilz sensor technology



### **PSENOpt Configurator**

The PSENOpt Configurator makes it easier to commission and operate the Advanced light beam devices.

Functions such as muting, blanking and/or cascading can be configured quickly and easily.

→ [PSENOpt Configurator](#)



### **PSENscan Configurator**

Use PSENscan Configurator to configure all the required parameters for the operation of your laser scanner PSENscan quickly and easily.

→ [PSENscan Configurator](#)

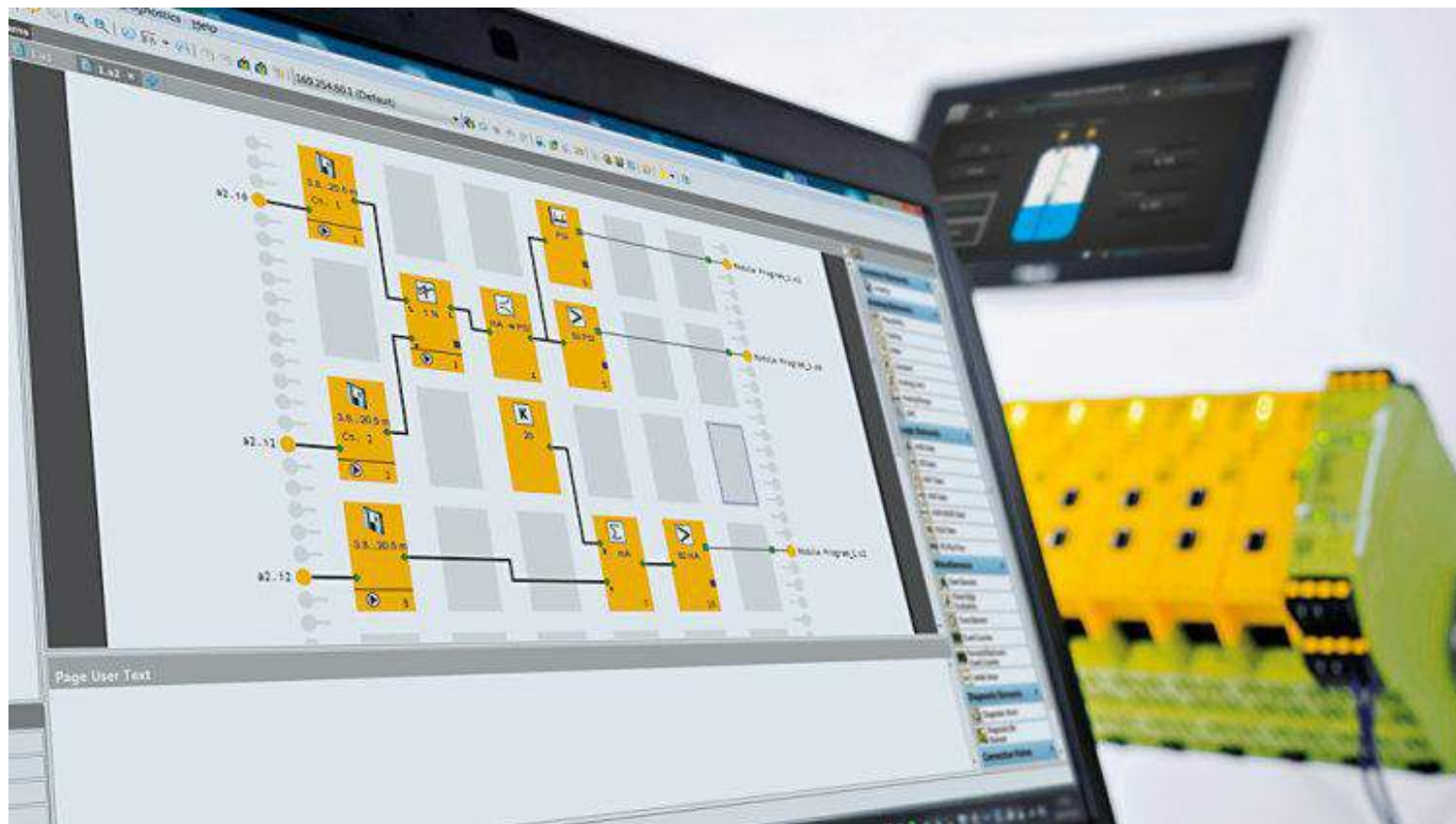


**PILZ**  
THE SPIRIT OF SAFETY

- ▶ **Software, small controllers  
PNOZmulti**

## ► Software, small controllers PNOZmulti

Features of the software for the small controllers PNOZmulti





**PILZ**  
THE SPIRIT OF SAFETY

- ▶ **Software for PLC control systems and I/O systems**

## ► Software for PLC control systems and I/O systems

Programming and configuration of your plant and machinery



**PAS4000 for controllers in the automation system PSS 4000**

The software platform PAS 4000 of the PSS 4000 automation system offers easy handling for complex functions. With PAS 4000, you configure and program your safety and automation application in one tool.

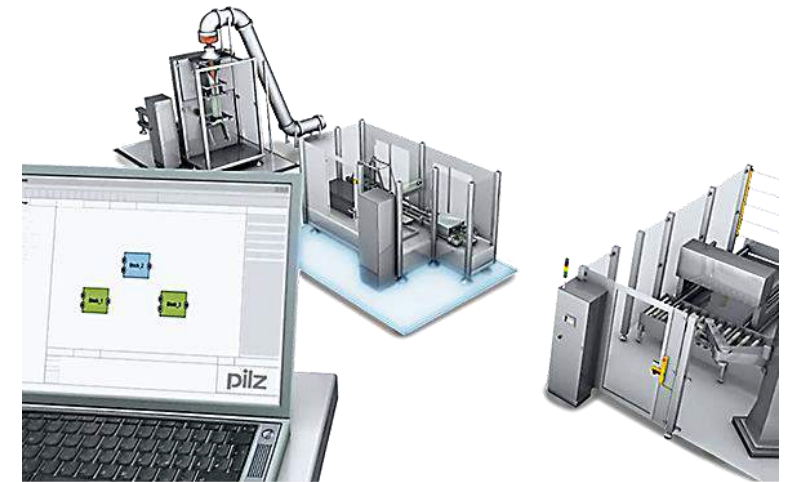
→ PAS4000 for control systems in the automation system PSS 4000



**PSSu Tools for decentralised I/O systems PSSuniversal**

Use PSSu Tools for configuring the decentralised I/O system PSSuniversal. For example, benefit from quick commissioning by the PSSuniversal Startup Tool.

→ PSSu Tools for decentralised I/O systems PSSuniversal





**PILZ**  
THE SPIRIT OF SAFETY

► **Software drive technology**

## ► Software drive technology





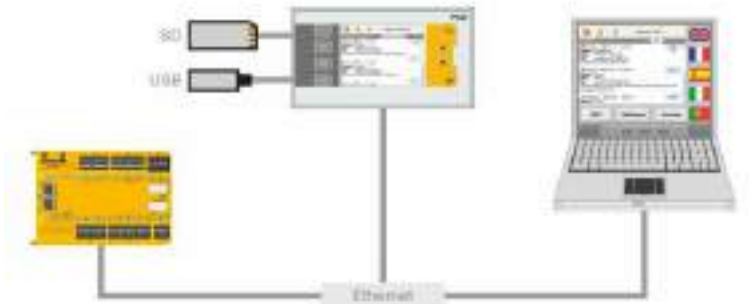
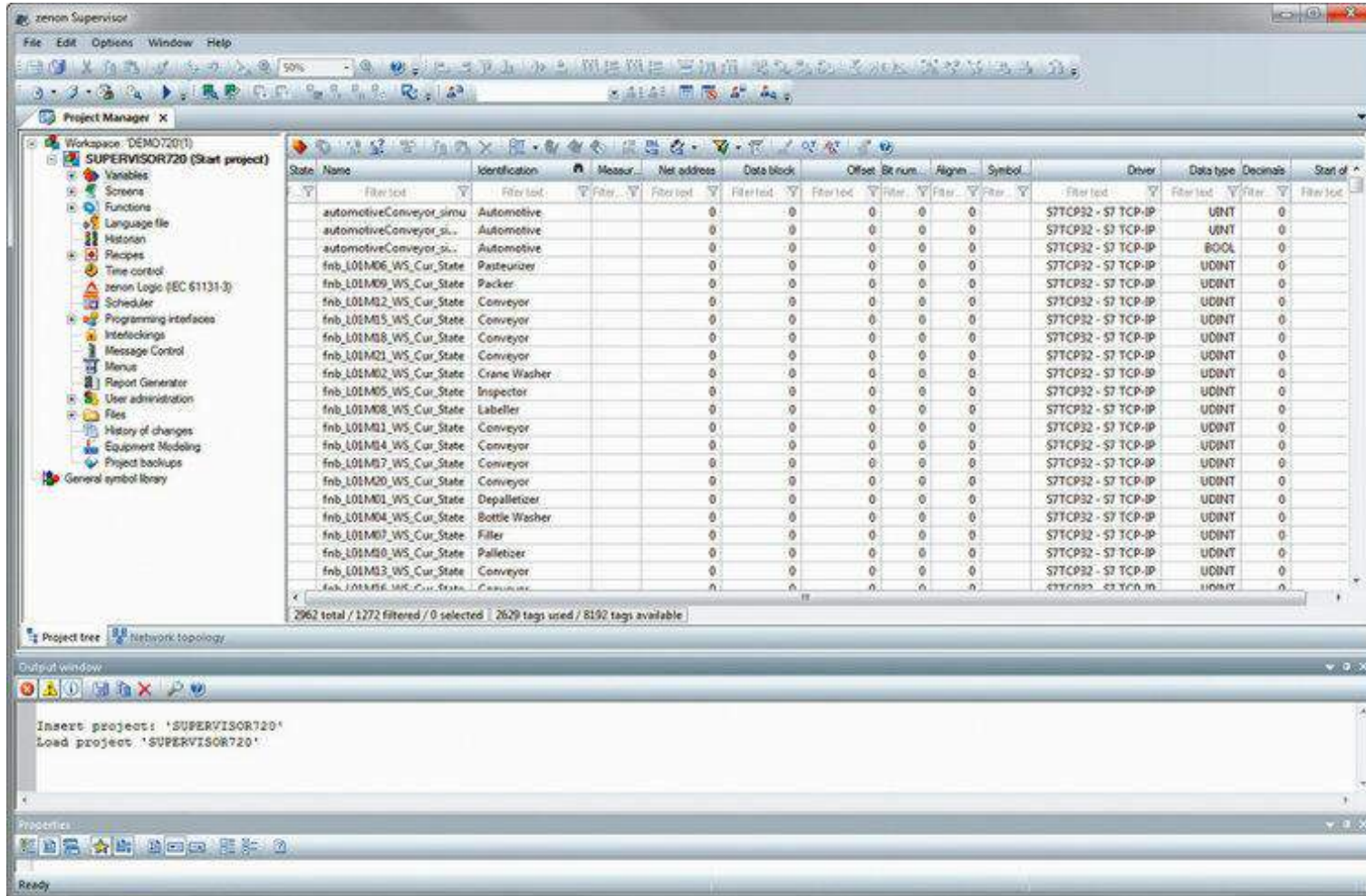


**PILZ**  
THE SPIRIT OF SAFETY

► **SCADA Visualisation**

# ► Software

## Visualisation of your plants and machinery



# ► Product overview

2/2

## Networks



## Operation and monitoring



## Software



## Connection technology





▶ **Cables and plug-in connectors**

## ► Cables and plug-in connectors

Our product range





**PILZ**  
THE SPIRIT OF SAFETY