

Panel Heaters

25 - 50 - 100 - 150 -
250 - 400 W

7H
SERIES



Drying kilns



Hoists and cranes



Road / tunnel
lighting



Plastic
moulding
machines



Automatic
car-washes



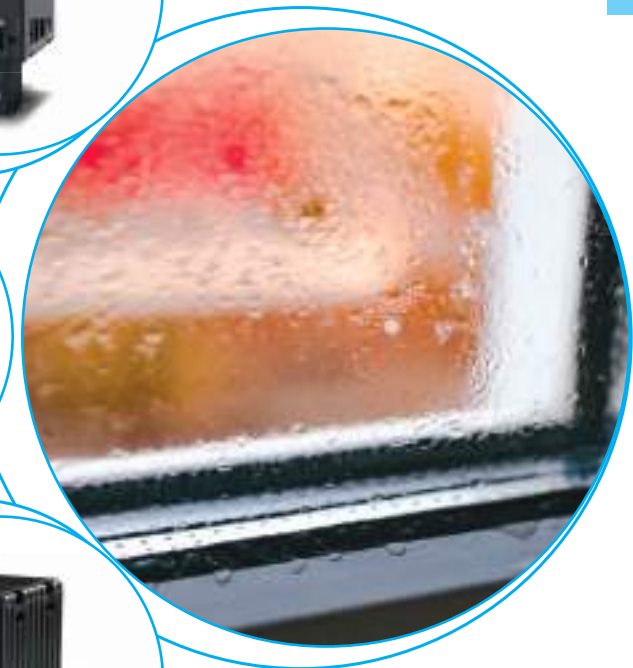
Panels for
electrical
distribution







Control panels



Forced-air
ventilators



Panel heaters Type 7H.51.0.230.0025 - Heating power 25 W Type 7H.51.0.230.0050 - Heating power 50 W <ul style="list-style-type: none"> Nominal voltage (110...230)V AC/DC Safe touch PTC resistor, self regulating heating system Clip for 35 mm rail (EN 60715) mount 		7H.51.0.230.0025 	7H.51.0.230.0050 
7H.51.0025/0050 Screw terminal 		<ul style="list-style-type: none"> Heating power 25 W Nominal voltage (110...230)V AC/DC Safe touch 	<ul style="list-style-type: none"> Heating power 50 W Nominal voltage (110...230)V AC/DC Safe touch
* At 20°C ambient temperature ** Except upper protection grille For outline drawings see page 7			
Heating specification			
Heating power *	W	25	50
Heater		PTC resistor, self-regulating heating system	
Surface temperature**	°C	≤ 100	≤ 100
Housing		Plastic according to UL94 – V0, black	
Supply specification			
Nominal voltage (U _N)	V AC (50/60 Hz)/DC	110...230	110...230
Rated current	A	0.13	0.20
Operating range	V AC/DC	88...253	88...253
Technical data			
Radiator		Alluminium profile	
Electrical connection		Screw terminals	
Fitting position		Vertical	
Ambient temperature	°C	-45...+50	-45...+50
Protection category		IP 20	IP 20
Approvals (according to type)			

Panel heaters

Type 7H.51.0.230.0100

- Heating power 100 W

Type 7H.51.0.230.0150

- Heating power 150 W

- Nominal voltage (110...230)V AC/DC
- Safe touch
- PTC self regulating heating system
- Clip for 35 mm rail (EN 60715) mount

7H.51.0100/0150
Screw terminal



7H.51.0.230.0100



- Heating power 100 W
- Nominal voltage (110...230)V AC/DC
- Safe touch

7H.51.0.230.0150



- Heating power 150 W
- Nominal voltage (110...230)V AC/DC
- Safe touch

G

* At 20°C ambient temperature
** Except upper protection grille
For outline drawings see page 8

Heating specification

Heating power *	W	100	150
Heater		PTC resistor, self-regulating heating system	
Surface temperature**	°C	≤ 80	≤ 80
Housing		Plastic according to UL94 - V0, black	

Supply specification

Nominal voltage (U _N)	V AC (50/60 Hz)/DC	110...230	110...230
Rated current	A	0.45	0.70
Operating range	V AC/DC	88...253	88...253

Technical data

Radiator		Alluminium profile	
Electrical connection		Screw terminals	
Fitting position		Vertical	
Ambient temperature	°C	-45...+50	-45...+50
Protection category		IP 20	IP 20

Approvals (according to type)



Panel heaters fan assisted

Type 7H.51.8.xxx.0250

- Heating power 250 W

Type 7H.51.8.xxx.0400

- Heating power 400 W

- Nominal voltage 120 or 230 V AC
- Safe touch
- PTC resistor, self regulating heating system
- Fast wiring terminals
- Clip for 35 mm rail (EN 60715) mount

7H.51.0250/0400
Push-in terminal



NEW 7H.51.8.xxx.0250



- Heating power 250 W
- Nominal voltage 120 or 230 V AC
- Fan assisted

NEW 7H.51.8.xxx.0400



- Heating power 400 W
- Nominal voltage 120 or 230 V AC
- Fan assisted

* At 20°C ambient temperature
** Except upper protection grille
For outline drawings see page 8

Heating specification					
Heating power *	W	250		400	
Heater		PTC resistor, self-regulating heating system			
Surface temperature**	°C	≤ 30		≤ 30	
Air flow rate	m ³ /h	30			
Fan - Life time at 25 °C	h	50 000		50 000	
Housing		Plastic according to UL94 – V0, black			
Supply specification					
Nominal voltage (U _n)	V AC (50/60 Hz)	120	230	120	230
Rated current	A	2	1	3	1.7
Operating range	V AC	98...132	184...253	98...132	184...253
Technical data					
Radiator		Alluminium profile			
Electrical connection		Screwless terminal			
Fitting position		Vertical			
Ambient temperature	°C	-40...+50		-40...+50	
Protection category		IP 20		IP 20	
Approvals (according to type)					

Ordering information

Example: 7H series, Panel heaters, heating power 50 W, 110...230 V AC/DC.

7 H . 5 1 . 0 . 2 3 0 . 0 0 5 0

- Series**
- Type**
51 = Panel heaters safe touch
- Supply version**
0 = AC (50/60 Hz)/DC
8 = AC (50/60 Hz) only fan assisted version
- Supply voltage**
230 = 110...230 V
120 = 120 V only fan assisted version
230 = 230 V only fan assisted version
- Heater power**
0025 = 25 W
0050 = 50 W
0100 = 100 W
0150 = 150 W
0250 = 250 W
0400 = 400 W

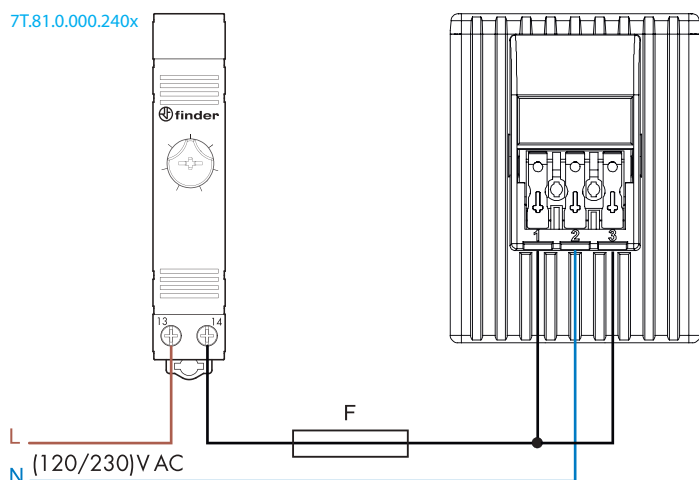
General data

Terminals		solid cable	stranded cable
Max. wire size (push-in terminals)	mm ²	2 x 1.5	2 x 1.5
	AWG	2 x 16	2 x 16
Max. wire size (screw terminals)	mm ²	1 x 2.5	1 x 1.5
	AWG	1 x 12	1 x 16
Screw torque	Nm	0.5	

Wiring diagrams

Fan assisted version

7T.81.0.000.240x



NOTE: Separate supply (L) terminals for the heater and the internal fan allow them to be powered independently.

So, dependent on the specific situation, the installer might wish the heating element to be controlled by an upstream thermostat but require the fan to run continuously (although the latter will significantly reduce the product's life).

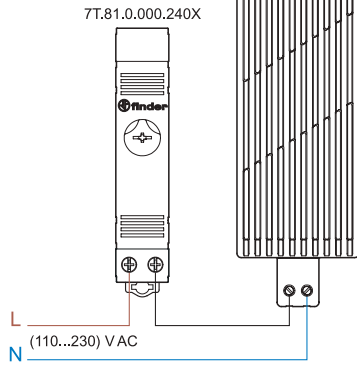
- 1 = L (heater)
- 2 = N
- 3 = L (fan)

F = aM 10 A @120 V AC
aM 6.3 A @230 V AC

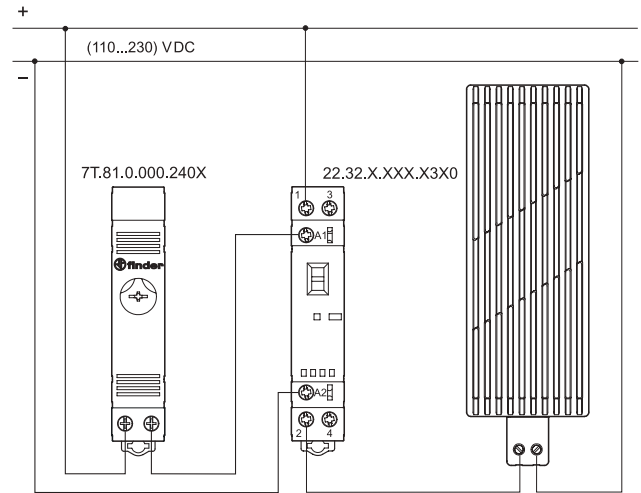
Wiring diagrams

NOT Fan assisted versions

AC version



DC version



SAFETY NOTE

For reasons of safety and performance, heaters must be mounted in the following way:

1. keep a distance of 100 mm. from components above and below and of 60 mm from side components
2. install vertically (cables below heater) in the bottom part of cabinet
3. do not mount heaters over easily inflammable materials
4. do not operate in corrosive ambient air

WARNING

Do not cover the heater.

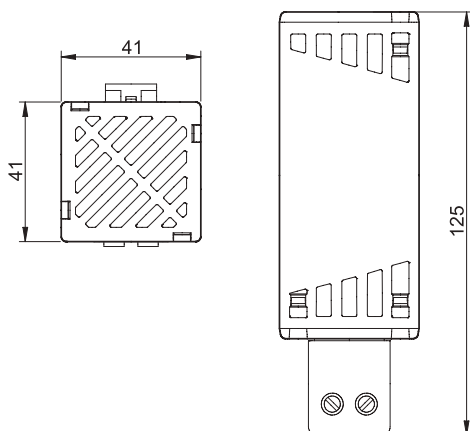
The 7H.51 Heater surface is very hot for 15-20 minutes after disconnecting.

During working and maintenance, don't touch it.

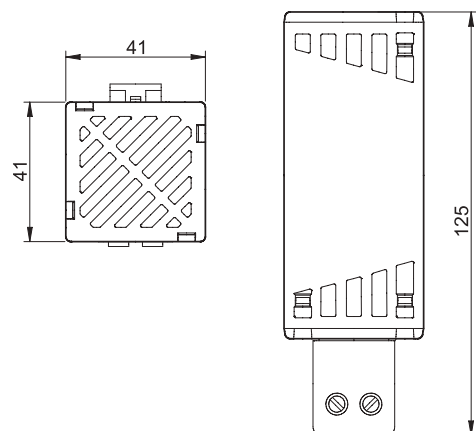
Caution: risk of burns, temperatur of the side less than +100 °C..

Outline drawings

Type 7H.51.0025
Screw terminal



Type 7H.51.0050
Screw terminal

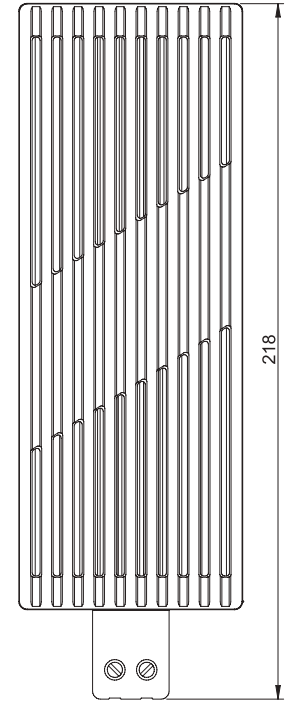
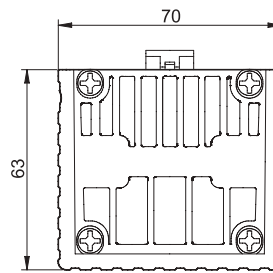
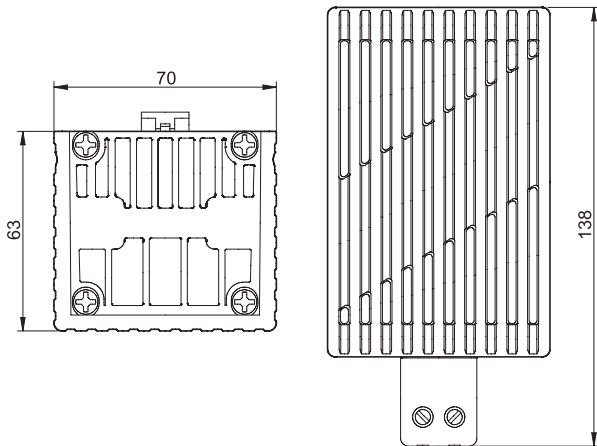


Outline drawings

Type 7H.51.0100
Screw terminal



Type 7H.51.0150
Screw terminal



G

Types 7H.51.0250 / 0400
Push-in terminal

